



# iTPC-H2152

V1.2



## Ultra-Compact Panel PC

21.5" Full HD compact Panel PC

Intel® Celeron™ J3455, option Celeron™ J1900 , i5-7200U CPU

Fanless design

Support VESA mounting and Panel mounting



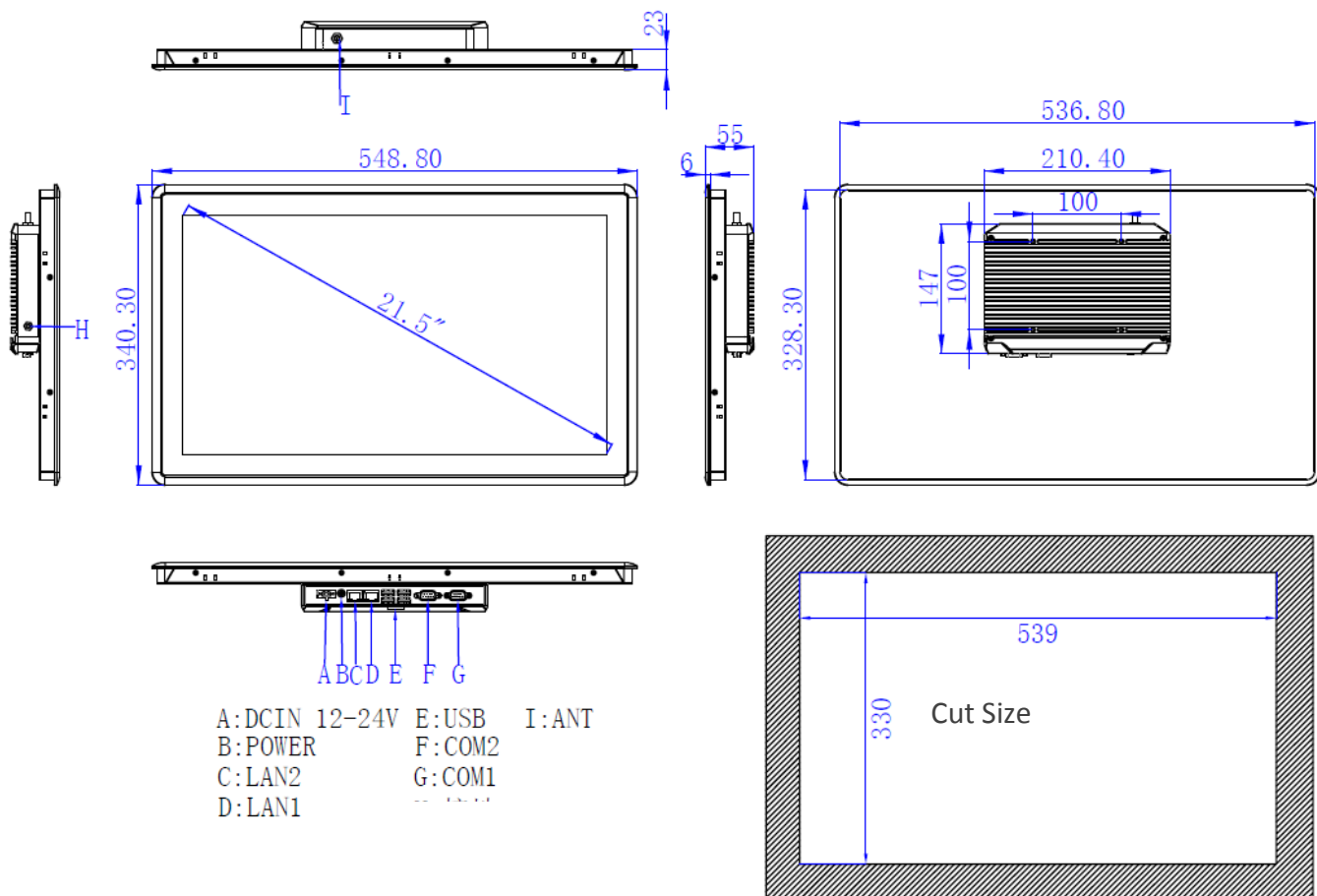


## Specification :

<b>Processor</b>	CPU	Intel® Celeron J3455 / J1900 / i5-7200U
	Main Frequency	Quad Core 2.3GHz / Quad Core 2GHz / Dual Core 2.5 GHz
	L2 Cache	2MB/2MB/3MB
	Chipset	Intel Apollo Lake/Bay Trail/Integrated PCH-LP
	RAM	Support DDR3L-1333 MHz, 1 * 204-pin SODIMM, Up to 8GB
	Storage	1 * mSATA
<b>Ethernet</b>	LAN1	Intel i211 or i225 Gbe LAN controller, RJ-45
	LAN2	Intel i211 or i225 Gbe LAN controller, RJ-45
<b>I/O</b>	Audio	/
	Serial port	2 x RS-232(RS-485 in option) Interface with surge protection
	USB	1* USB3.0+3* USB2.0
	Rear I/O	2* GLAN/ 4*USB/ 2*COM/ DC IN
	MiniPCie	1 * MINI- PCIe slot, extended to 3G and wifi card
<b>OS</b>	OS	Windows 7, Windows8, Windows10, Linux
<b>Power</b>	DC Input	12-24V DC
	Max. power consumption	46.4 Watt
<b>LCD</b>	LCD Type	21.5" FULL HDTFT
	Resolution	1920 x 1080
	Colors	16.7MB
	Active Area	476.64mm x 268.11mm (18.77 x 10.56")
	Backlight	LED
	MTBF (hour)	15000hrs
	Pixel Pitch (H x V)	0.248 x0.248
	Luminance	250cd/m2
	Contrast Ratio	3000:1
Viewing Angle	(L)89/(R)89/(T)89/(B)89	
<b>Touchscreen</b>	Screen type	Multi- points Capacitive touch screen
	Transmittance	> 87%
	Controller	USB interface
	Driver support	Windows 7, Windows8, Windows10, Linux
	Surface Hardness	Mohs Hardness 7H
	Multi-touch	10 points when using Windows system
<b>Physical</b>	Size	548.8mm x 340.30mm x 55mm (1.80" x 1.12" x 0.18") (W x H x D)
	Cut size	539mm x 330mm(1.77"x 1.08") (W x H)
	Net Weight	5.99kg
<b>Environmental</b>	Operating Temperature	-10 ~ 50° C (14 °F ~122 °F ) Use a wide temperature grade SSD
	Storage Temperature	-20 ~ 70°C (-4 ~ 158 °F )
	Relative Humidity	10~95% RH@40°C,non-condensing
	Vibration	Operating Random Vibration Test 5~500Hz, 1.5Grms@with SSD, follow IEC 60068-2-64
	Shock	Operating 10G peak acceleration (11ms duration), follow IEC 60068-2-27
	EMC	CE/FCC Class A
	Front Panel Protection	IP65 Compliant

**Dimension:**

Unit: mm

**Ordering Information:**

Model	Specification
iTPC-H2152-J3455	21.5"LCD/Intel J3455 2.3GHz Quad core CPU /2*RS232 (option RS485)/ 2*LAN /1*USB3.0/ 3*USB2.0/ Capacitive Touch/ Resolution 1920*1080/DC12V-24V input
iTPC-H2152-J1900	21.5"LCD/Intel J1900 2.0GHz Quad core CPU /2*RS232 (option RS485)/ 2*LAN /1*USB3.0/ 3*USB2.0/ Capacitive Touch/ Resolution 1920*1080/DC12V-24V input
iTPC-H2152-SL7200U	21.5"LCD/Intel I5-7200U 2.5GHz Dual core CPU /2*RS232 (option RS485)/ 2*LAN /1*USB3.0/ 3*USB2.0/ Capacitive Touch/ Resolution 1920*1080/DC12V-24V input

**Optional items :**

Part No.	Specification
Memory	DDR3 2G/4G/8G
Storage	Mini SATA SSD64G/128G/256G/512G...
5040200001	WIFI (7260 series) Round antenna
5040100001	4G/3G Module (EC20,EC25,EG25) via mini PCIE