



# iTPC-H1562

V1.2

## Ultra-Compact Panel PC



15.6" TFT Fanless Panel PC

Intel® Celeron™ J3455, option Celeron™ J1900 , i5-7200U CPU

Fanless design

Support VESA mounting and Panel mounting



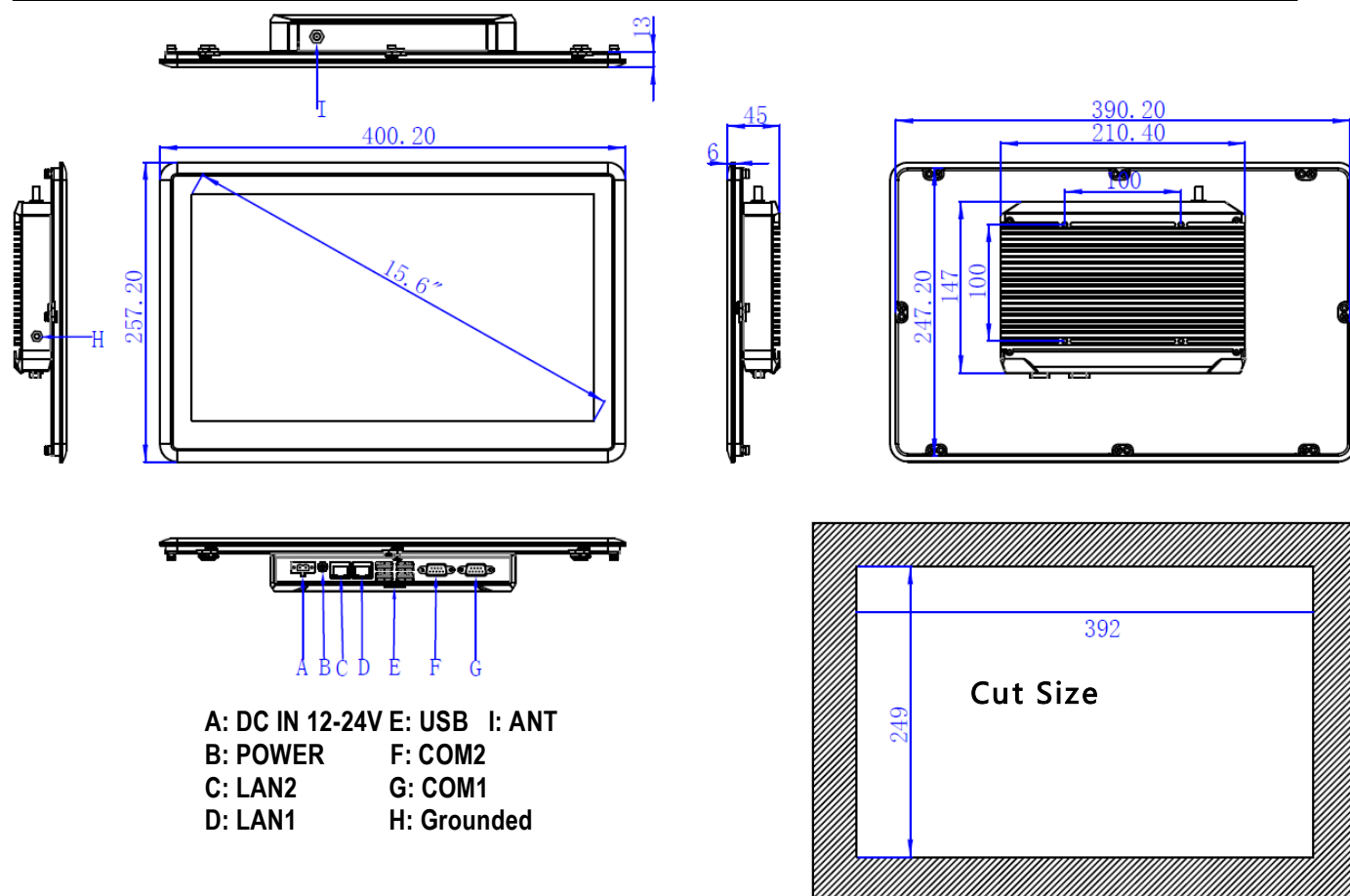


## Specification :

<b>Processor</b>	CPU	Intel® Celeron J3455 / J1900 / i5-7200U
	Main Frequency	Quad Core 2.3GHz / Quad Core 2GHz / Dual Core 2.5 GHz
	L2 Cache	2MB/2MB/3MB
	Chipset	Intel Apollo Lake/Bay Trail/Integrated PCH-LP
	RAM	Support DDR3L-1333 MHz, 1 * 204-pin SODIMM, Up to 8GB
	Storage	1 * mSATA
<b>Ethernet</b>	LAN1	Intel i211 or i225 Gbe LAN controller, RJ-45
	LAN2	Intel i211 or i225 Gbe LAN controller, RJ-45
<b>I/O</b>	Audio	/
	Serial port	2 x RS-232(RS-485 in option) Interface with surge protection
	USB	1* USB3.0+3* USB2.0
	Rear I/O	2* GLAN/ 4*USB/ 2*COM/ DC IN
	MiniPCIe	1 * MINI- PCIe slot, extended to 3G and wifi card
<b>OS</b>	OS	Windows 7, Windows8, Windows10, Linux
<b>Power</b>	DC Input	12-24V DC
	Max. power consumption	38.6 Watt
<b>LCD</b>	LCD Type	15.6" TFT
	Resolution	1920 x 1080
	Colors	16.7MB
	Active Area	344.16 × 193.59 mm (13.55" × 7.62" )
	Backlight	LED
	MTBF (hour)	15000hrs
	Pixel Pitch (H x V)	0.179 x0.179
	Luminance	350cd/m2
	Contrast Ratio	800:1
	Viewing Angle	(L)85/(R)85/(T)85/(B)85
<b>Touchscreen</b>	Screen type	Multi- points Capacitive touch screen
	Transmittance	> 87%
	Controller	USB interface
	Driver support	Windows 7, Windows8, Windows10, Linux
	Surface Hardness	Mohs Hardness 7H
	Multi-touch	10 points when using Windows system
<b>Physical</b>	Size	400.2mm x 257.2mm x 45mm (1.31" x 0.84" x 0.15") (W x H x D)
	Cut size	392mm x 249mm(1.29"x 0.82") (W x H)
	Net Weight	3.65kg(8.05lb)
<b>Environmental</b>	Operating Temperature	-10 ~ 50° C (14 °F ~122 °F ) Use a wide temperature grade SSD
	Storage Temperature	-20 ~ 70°C (-4 ~ 158 °F )
	Relative Humidity	10~95% RH@40°C,non-condensing
	Vibration	Operating Random Vibration Test 5~500Hz, 1.5Grms@with SSD, follow IEC 60068-2-64
	Shock	Operating 10G peak acceleration (11ms duration), follow IEC 60068-2-27
	EMC	CE/FCC Class A
	Front Panel Protection	IP65 Compliant

**Dimension:**

Unit: mm

**Ordering Information:**

Model	Specification
iTPC-H1562-J3455	15.6"LCD/Intel J3455 2.3GHz Quad core CPU / 2*RS232 (option RS48/ 2*LAN /1*USB3.0/ 3*USB2.0/ Capacitive Touch/ Resolution 1920*1080/DC12V-24V input
iTPC-H1562-J1900	15.6"LCD/Intel J1900 2.0GHz Quad core CPU / 2*RS232 (option RS48/ 2*LAN /1*USB3.0/ 3*USB2.0/ Capacitive Touch/ Resolution 1920*1080/DC12V-24V input
iTPC-H1562-SL7200U	15.6"LCD/Intel I5-7200U 2.5GHz Dual core CPU/ 2*RS232 (option RS48/ 2*LAN /1*USB3.0/ 3*USB2.0/ Capacitive Touch/ Resolution 1920*1080/DC12V-24V input

**Optional Item :**

Part No.	Specification
Memory	DDR3 2G/4G/8G
Storage	Mini SATA SSD64G/128G/256G/512G...
Adapter	Input: 100~240V~50/60Hz 1.7A Output: +12.0V—5A,60Watt
504020001	WIFI (7260 series) with antenna
504010001	4G/3G Module(EC20, EC25, EG25) (via mini PCIE)