



WP2151T-C

Industrial Panel PC

21.5" IP69K Stainless Steel Panel PC

- ◆ Support Intel® Celeron J1900 CPU
- ◆ Support Intel® Core™ i3-8145U
- ◆ Capacitive touch screen, option Resistive touch screen
- ◆ Option Size: 15", 19" and 21.5".

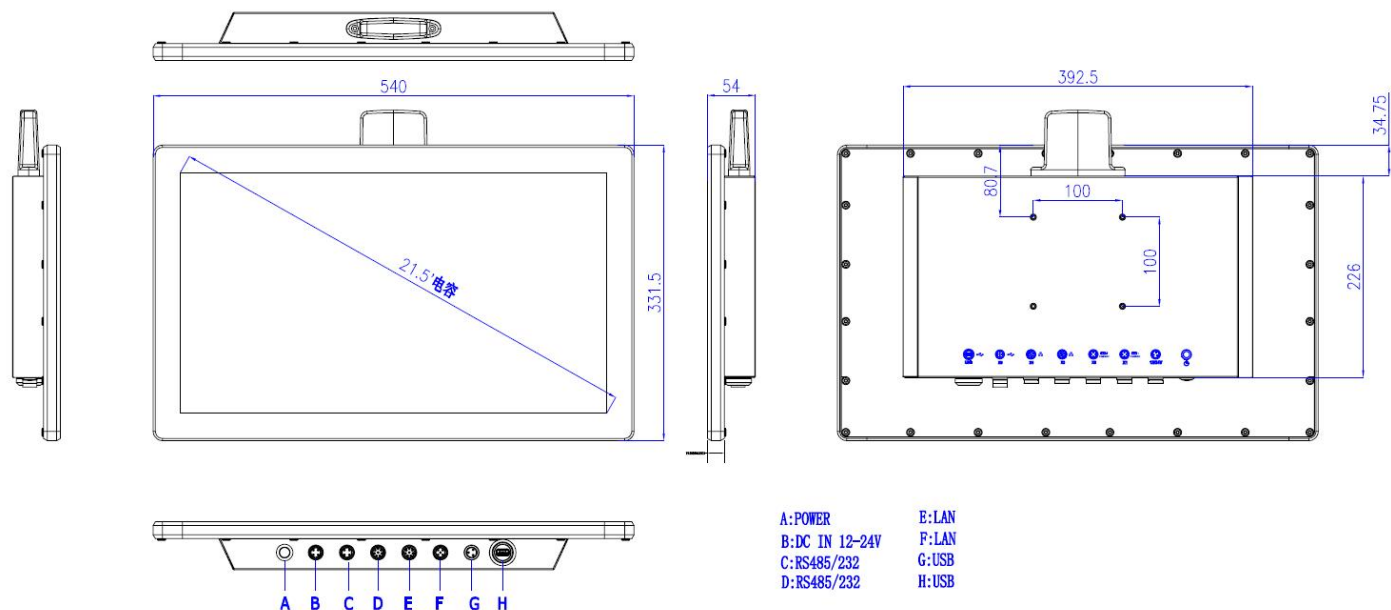




Specification:

System	CPU	Support Intel® Celeron J1900 CPU /Intel® Core™ i3-8145U
	BIOS	Quad Core 2.0GHz / Dual Core 2.1GHz
	L2 Cashi	2MB/4MB
	Chipset	Integrated PCH-LP
	Memory	1 x 204-pin SODIMM DDR4-2133/ 2400MHz support up to 16GB
	Storage	1 x mSATA
I/O	LAN	2 x Intel 1000Mbps
	Audio	NULL
	USB	2 x USB2.0
	COM	2 x RS232 (option RS485 before ordering)
	Mini PCIe	Option either Wifi or 4G/3G module (Default: wifi)
Basic	Dimension (W x H x D)	540mm x 332mm x 54mm
	Mounting	Desktop、VESA
	Net weight	8.2kg
Operation system	OS	Windows7, Windows8, Windows10, Linux
Power	Power input	12-24VDC ±10% , Support reverse connection protection, over current protection
	Max. power consumption	46Watt
LCD	Type	21.5" Full HD TFT
	Resolution	1920 x 1080
	Colors	16.7MB
	Active Area (W x H)	476.64mm x 268.11mm (18.77 x 10.56")
	Backlight	LED
	MTBF (hours)	30000hrs
	Pixel Pitch(H x V)	0.248 x 0.248
	Luminance	250cd/m2
	Contrast Ratio	3000 : 1
	View angle	(L) 89 / (R) 89 / (T) 89 / (B) 89
Touch Screen	Type	Capacitive Multi-touch screen
	Transmittance	≥ 87%
	Controller interface	USB
	Driver supported	Windows 7, Windows 8, Windows 10, Linux
	Multi-touch	10 points under Windows OS
	Surface Hardness	Mohs' 7H
Working Environmental	Work temperature	-20 ~ 60° C(Use wide temperature SSD) 0 ~ 45° C (Use normal temperature HDD/SSD)
	Storage temperature	-30 ~ 80° C
	Relative humidity	10~95% RH@40°C,non-condensing
	Shake	SSD applied: 1.5 Grms, IEC 60068-2-64, random, 5 ~ 500 Hz, 1 hr/axis
	Shock	SSD applied: 10 G, IEC 60068-2-27, Half-sine wave, 11ms duration
	EMC	CE/FCC Class B
	Waterproof	IP69K

Dimension: Unit : mm



Order information :

Model NO.	Description
WP2151T-C-J1900	21.5" LCD/ Capacitive touch screen/ 1920*1080/CPU J1900/no memory/no SSD/2LAN/2RS232(option RS485)/2USB/option WIFI&3G/DC IN 12~24V
WP2151T-C-8145U	21.5" LCD/ Capacitive touch screen/ 1920*1080/CPUi3-8145U/no memory/no SSD/2LAN/2RS232(option RS485)/2USB/option WIFI&3G/DC IN 12~24V

Option items:

Material NO.	Spec.
5040200005	WIFI (7260HMWBN) with waterproof cover
5040100001	EC20(4G/3G module)
2020200067	M12 plug with 5pin (USB) Length=2Meters
2020200068	M12 plug with 4pin (COM) Length=2Meters
2020200069	M12 plug with 8pin (LAN cable) Length=2Meters
2010300015	IP67 waterproof Meanwell power adapter OWA-60E-12 (EU type)