



WP1501T-R1

Industrial Panel PC

15" IP69K Stainless Steel Panel PC

- ◆ Support Intel® Celeron J1900 CPU
- ◆ Support Intel® Core™ i3-8145U
- ◆ Resistive touch screen, option Capacitive touch screen
- ◆ Option Size: 15", 19" and 21.5".

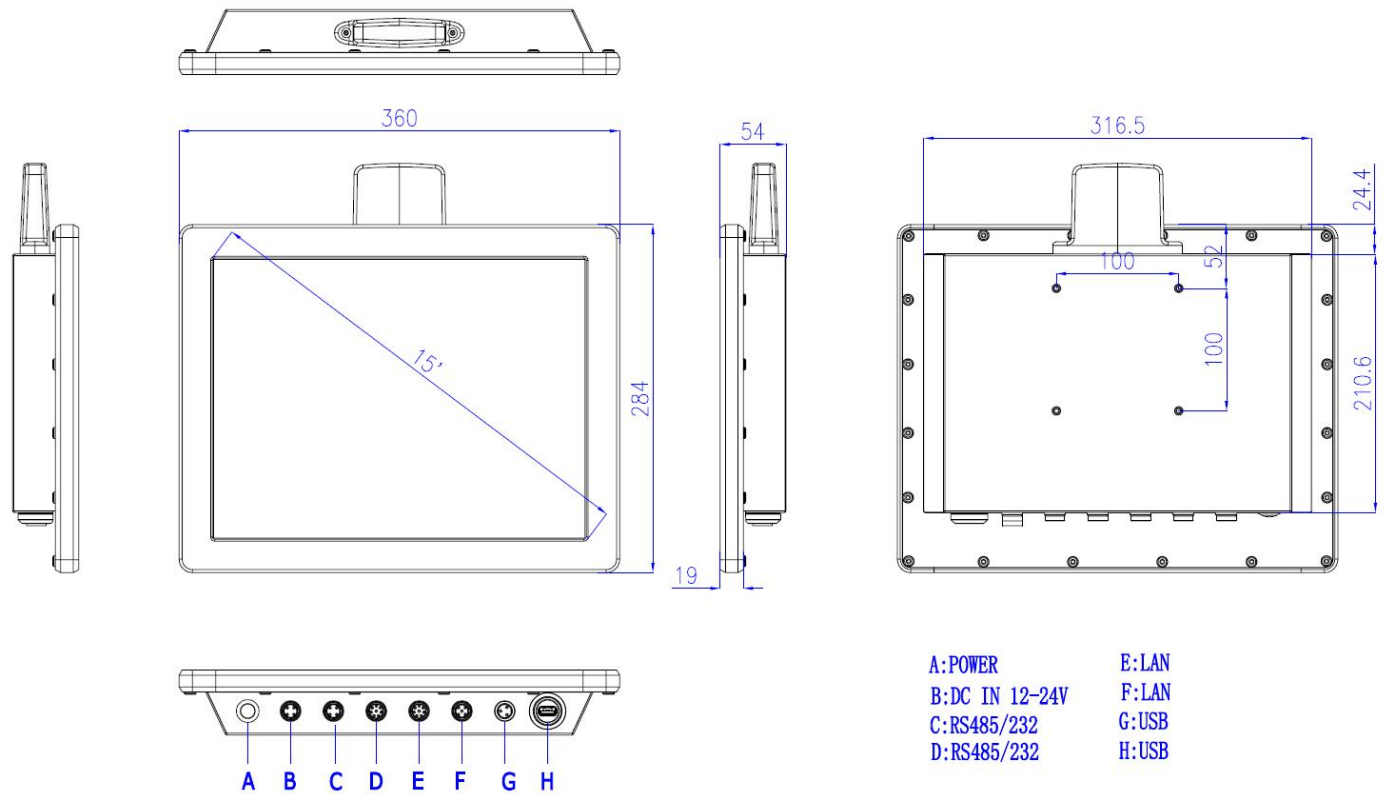




Specification:

System	CPU	Support Intel® Celeron J1900 CPU /Intel® Core™ i3-8145U
	BIOS	Quad Core 2.0GHz / Dual Core 2.1GHz
	L2 Cache	2MB/4MB
	Chipset	Integrated PCH-LP
	Memory	DDR3L- 1333/1600/1866MHz up to 8GB / DDR4- 2133/2400MHz up to 16GB
	Storage	1 x mSATA
I/O	LAN	2 x Intel 1000Mbps
	Audio	NULL
	USB	2 x USB2.0
	COM	2 x RS232 (option RS485 before ordering)
	Mini PCIe	Option either Wifi or 4G/3G module (Default: wifi)
Basic	Dimension (W x H x D)	360mm x 284mm x 54mm
	Mounting	Desktop、VESA
	Net weight	5.4kg
Operation system	OS	Windows7, Windows8, Windows10, Linux
Power	Power input	12-24VDC ±10% , Support reverse connection protection, over current protection
	Max. power consumption	38.6Watt
LCD	Type	15" XGA TFT
	Resolution	1024 x 768
	Colors	16.7MB
	Active Area (W x H)	304.13mm x 228.10mm (11.97" x 8.98")
	Backlight	LED
	MTBF (hours)	30000hrs
	Pixel Pitch(H x V)	0.297 x 0.297
	Luminance	350cd/m2
	Contrast Ratio	800 : 1
	View angle	(L) 80 / (R) 80 / (T) 80 / (B) 80
Touch Screen	Type	Resistive touch screen
	Transmittance	> 75%
	Controller interface	USB
	Driver Support	Windows XP, Windows 7, Winows8, Windows 10, Linux
	Response Time	< 5ms
	Surface Hardness	Mohs' Number 3H
Working Environmental	Work temperature	-20 ~ 60° C(Use wide temperature SSD) 0 ~ 45° C (Use normal temperature HDD/SSD)
	Storage temperature	-30 ~ 80° C
	Relative humidity	10~95% RH@40°C,non-condensing
	Vibration	Operating Random Vibration Test 5~500Hz, 1.5Grms@with SSD, follow IEC 60068-2-64
	Shock	Operating 10G peak acceleration (11ms duration), follow IEC 60068-2-27
	EMC	CE/FCC Class B
	Waterproof	IP69K

Dimension: Unit : mm



Order information:

Model NO.	Description
WP1501T-R1-J1900	15" LCD/ Resistive touch screen/ 1024*768/CPU J1900/no memory/no SSD/2LAN/2RS232(option RS485)/ 2USB/WIFI/DC IN 12~24V
WP1501T-R1-WL8145U	15" LCD/ Resistive touch screen/ 1024*768/CPU i3-8145U/no memory/no SSD/2LAN/2RS232(option RS485)/ 2USB/WIFI/DC IN 12~24V

Option items:

Material NO.	Spec.
5040200005	WIFI (7260 Series) with waterproof housing
5040100001	EC20/EC25/EG25 (4G/3G module)
2020200067	M12 plug with 5pin (USB) Length=2Meters
2020200068	M12 plug with 4pin (COM) Length=2Meters
2020200069	M12 plug with 8pin (LAN cable) Length=2Meters
2010300015	IP67 waterproof Meanwell power adapter OWA-60E-12 (EU type plug)