



TPC6000-D123-LH v1.2

Industrial Panel PC

12.1 " XGA Fanless Industrial Panel PC

Support Intel® Celeron™ J1900/ J6412/ 4205U

Support Intel® Intel® Core™ i3-8145U / i5-7200U



TPC6000-D123-LH



Specifications :

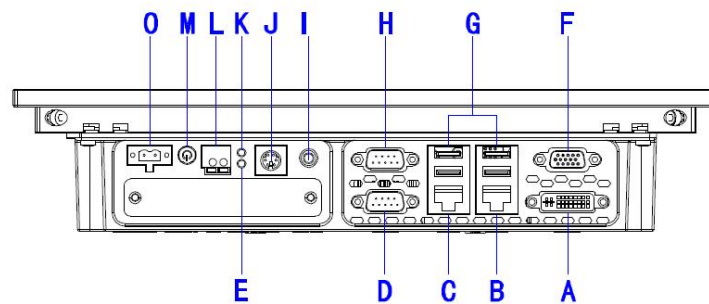
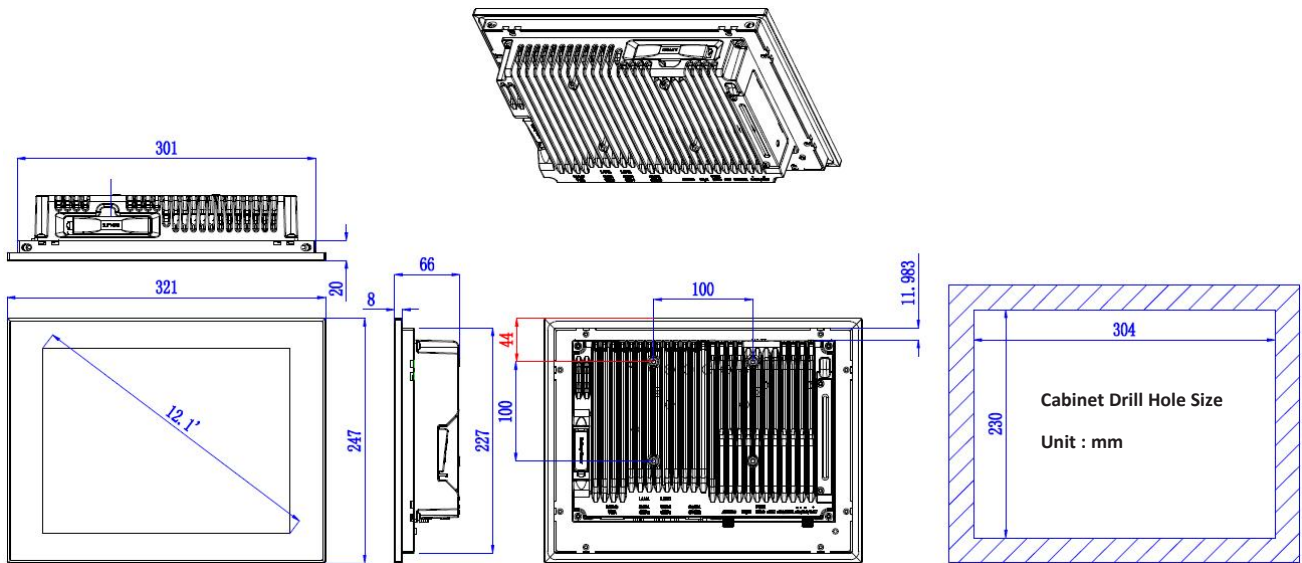


Processor	CPU	J1900	J6412	4205U	i3-8145U	i5-7200U
	Base Frequency	Quad Core 2.0GHz		Dual Core 1.8GHz	Dual Core 2.1 GHz	Dual Core 2.5GHz
	L3 Cache	2MB	1.5MB	2MB	4MB	3MB
	Chipset	Integrated PCH-LP				
	Memory	1*DDR3L-1600, max 8GB / 1*DDR4 2400MHz, max 16GB				
	Storage Medium	1 x 2.5" SATA bay + 1 x mSATA				
	I/O	LAN	2 x Intel 1000Mbps RJ-45 Ethernet interface			
Audio		Optional				
USB		4 x USB3.0/2.0/1.1				
COM		2 x RS-232 / RS-485 interface				
Expansion slot		1 x Mini-PCIe slot, extensible 3G,WIFI wireless card, 1 x EasyBUS slot				
Rear I/O		DVI-I / 2 x GLAN / 4 x USB / 2 x COM / 2 x PS2 / Line-out / Mic-in				
Physical	Dimensions (W x H x D)	321mm x 247mm x 66mm (12.64" x 9.72" x 2.60")				
	Drill Hole Size (W x H)	304mm x 230mm (11.97" x 9.06")				
	NW	3.54kg (7.80 lb)				
OS	OS	Windows 7, Windows 7 Embedded, Windows8, Windows10, Ubuntu, VXWORKS, QNX				
Power	Input voltage	12-24VDC ±10% , support reverse polarity protection, overvoltage protection, overcurrent protection				
	Maximum Power Dissipation	37W				
LCD	LCD Size	12.1" XGA TFT				
	Resolution	1024 x 768				
	Colors	16.7MB				
	Active Area (W×H)	246mm x 184.5mm (9.68" x 7.26")				
	Backlight	LED				
	MTBF	30000hrs				
	Pixel Pitch	0.24 x 0.24				
	Luminance	350cd/m2				
	Contrast Ratio	800: 1				
	Viewing Angle	(L) 80 / (R) 80 / (T) 80 / (B) 80				
Touchscreen	Type	Resistive touch screen				
	Resolution	4096 x 4096				
	Transmittance	> 78%				
	Driver Support	Windows XP, Windows 7, Windows 8, Windows 10, Linux				
	Response Time	< 5ms				
	Surface Hardness	Mohs' Number 3H				
Environmental	Work Temperature	-20~60°C (-4~140°F)				
	Storage Temperature	-30~80°C (-22~176°F)				
	Relative humidity	5~95%(non-condensing)				
	Shake	SSD applied:1.5Grms,IEC 60068-2-64,random,5~500Hz,1 hr/axis				
	Shock	SSD applied: 10 G, IEC 60068-2-27, Half-sine wave, 11ms duration				
	EMC	CE/FCC Class B				
	Water-proof	Front panel IP65				

TPC6000-D123-LH

Dimensions:

Unit: mm



A:DVI-D	B:LAN1	C:LAN2	D:COM1
E:Power LED	F: VGA	G:USB	H:COM2
I:Line OUT	J: PS2	K:HDD LED	I:SW
M:Power Switch	O: DC IN 12-24V		

Ordering Information:

Product Code	Description
TPC6000-D123-LH-J1900	12.1"LCD/Intel J1900 2.0G Quad Core CPU/ No Memory / No Hard /2*RS-232/485(Optional) / 2*LAN /4*USB3.0/ 1024*768/DC12V-24V input / Two-year warranty
TPC6000-D123-LH-WL4205U	12.1"LCD/Intel 4205U Dual Core 1.8 GHz CPU/ No Memory / No Hard /2*RS-232/485(Optional) / 2*LAN /4*USB3.0/ 1024*768/DC12V-24V input / Two-year warranty
TPC6000-D123-LH- WL8145U	12.1"LCD/Intel 8145U Dual Core 2.1 GHz CPU/ No Memory / No Hard /2*RS-232/485(Optional) / 2*LAN /4*USB3.0/ 1024*768/DC12V-24V input / Two-year warranty
TPC6000-D123-LH-SL7200U	12.1"LCD/Intel 7200U Dual Core 2.5GHz CPU/ No Memory / No Hard /2*RS-232/485(Optional) / 2*LAN /4*USB3.0/ 1024*768/DC12V-24V input / Two-year warranty
TPC6000-D123-LH- J6412	12.1"LCD/Intel 6412 Quad Core 2.0GHz CPU/ No Memory / No Hard /2*RS-232/485(Optional) / 2*LAN /4*USB3.0/ 1024*768/DC12V-24V input / Two-year warranty