



TPC6000-C172-L/LE

V1.1

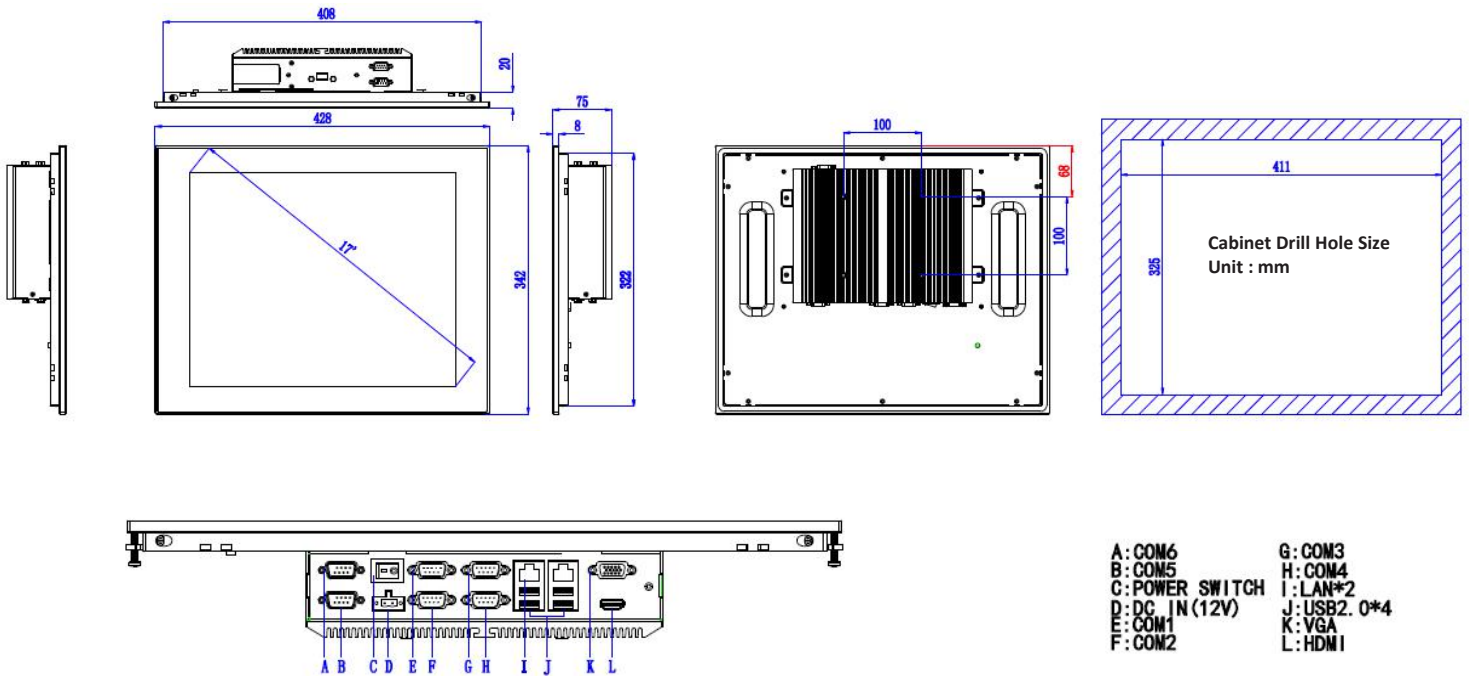
Industrial Panel PC



17" SXGA Fanless Industrial Panel PC
Intel® Celeron® J1900 CPU

Dimensions:

Unit : mm



Ordering Information:

Product Code	Description
TPC6000-C172-L	17"LCD/Intel J1900 CPU /No Memory/No Hard Disk/6*RS-232 RS232(COM1 can jumper to RS485,COM5 and COM6 optional RS485 by add on module)/2 Gigabit Ethernet ports/4*USB2.0/Capacitive touch screen/1280*1080/DC12V input
TPC6000-C172-L-DC24V	17"LCD/Intel J1900 CPU /No Memory/No Hard Disk/4*RS-232(COM1 Option RS-485)/2 Gigabit Ethernet ports/4*USB2.0/Capacitive touch screen/1280*1080/DC9~30V input

Optional Items:

Adapter	Input: 100~240V~50/60Hz 1.7A Output:+12.0V—5A,60Watt
Memory	DDR3 2G/4G/8G, max to 8G
Storage	Mini SATA SSD: 32G/64G/128G/256G/512G... 2.5" SSD: 32G/64G/128G/256G/512G... 2.5" HDD: 500G/1T...
Wifi	7260 Series
3G/4G module	EC20, EC25, EG25...