



TPC6000-C156i-L

V1.0

Industrial Panel PC



15.6" TFT Fanless Industrial Panel PC

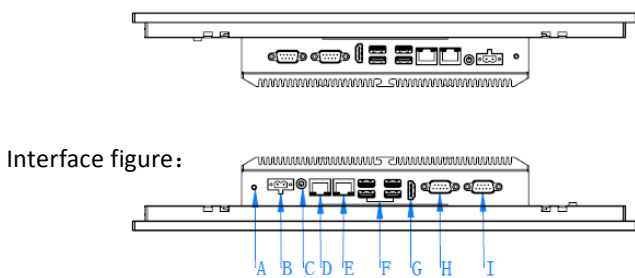
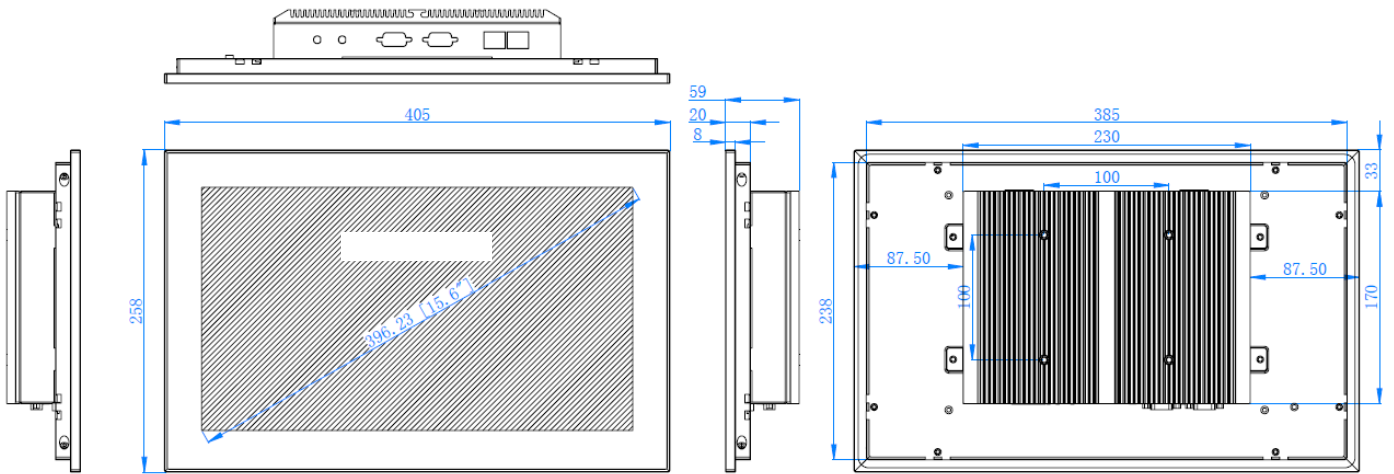
- ◆ Intel® NUC flexible modular design
- ◆ Support Intel® Core™ i3-1115G4 and i5-1135G7



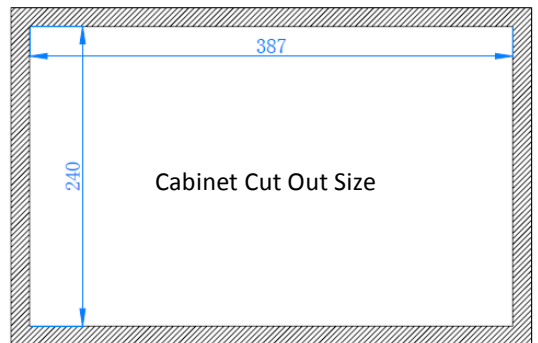
Specifications :

| | | | |
|---------------|------------------------|--|-------------------------|
| System | CPU | Intel® Core™ i3-1115G4 | Intel® Core™ i5-1135G7 |
| | Base Frequency | Dual Core 3.0GHz | Quad Core 2.40GHz |
| | L3 Cache | 6MB Intel® Smart Cache | 8 MB Intel® Smart Cache |
| | Chipset | - | |
| | Memory | Onboard LPDDR4X-4266: 8GB | |
| | Storage | 1 x mSATA | |
| I/O | LAN | 2 x Realtek 1000Mbps RJ-45 Ethernet interface with surge protection, lightning protection design and 15KV ESD protection | |
| | Audio | - | |
| | USB | 4 x USB3.0 | |
| | COM | 2 X RS-232 (RS-485 optional) port with surge protection | |
| | Expansion slot | WIFI 6 , 1 x Mini-PCIe slot, expandable 3G/4G | |
| | Rear I/O | HDMI / 2 x GLAN / 4 x USB / 2 x COM / DC IN | |
| Physical | Dimensions (W x H x D) | 405mm x 258mm x59mm | |
| | Cut Out Size (W x H) | 387mm x 240mm | |
| | Net Weight | 4.71kg | |
| OS | Operation System | Windows10, Linux | |
| Power | Input voltage | DC 12~24V | |
| | Maximum Power | 45Watt | |
| LCD | LCD Size | 15.6" TFT | |
| | Resolution | 1920 ×1080 | |
| | Colors | 16.7M | |
| | Active Area (W×H) | 344.16mm x 193.59mm (13.55' x 7.62") | |
| | Backlight | LED | |
| | MTBF | 15000hrs | |
| | Pixel Pitch | 59.75 x 179.25 um | |
| | Luminance | 250cd/m2 | |
| | Contrast Ratio | 3000 : 1 | |
| | Viewing Angle | (L) 89 / (R) 89 / (T) 89 / (B) 89 | |
| Touch screen | Type | Multipoint capacitive touch screen | |
| | Transmittance | ≥ 87% | |
| | Controller interface | USB | |
| | Driver Support | Windows 10,Windows 11, Linux, Ubuntu | |
| | Multi-touch | 10 points (windows system) | |
| | Surface Hardness | Mohs' 7H | |
| Environmental | Work Temperature | -0 ~ 50°C (32~122°F) | |
| | Storage Temperature | -20 ~ 70°C (-4 ~ 158°F) | |
| | Relative humidity | 10~95% RH@40°C,non-condensing | |
| | Vibration | Operating Random Vibration Test 5~500Hz, 1.5Grms@with SSD, follow IEC 60068-2-64 | |
| | Shock | Operating 10G peak acceleration (11ms duration), follow IEC 60068-2-27 | |
| | EMC | CE/FCC Class B | |
| | Front Panel Protection | IP65 compliant | |

Dimensions : Unit : mm



- A:Grounding
- B:DC IN 12-24
- C:POWER
- D:LAN2
- E:LAN1
- F:USB
- G:HDMI
- H:COM2
- I:COM1



Ordering Information:

| Model Name | Specifications |
|---------------------------|--|
| TPC6000-C156i-L-1115G4-8G | 15.6"LCD /Intel 1115G4 3.0 GB dual-core CPU/onboard 8 GB DDR4 / No hard disk /2 x RS232 or RS485 optional /2 x LAN /4 x USB3.0 / Capacitive touch screen/resolution 1920 x 1080/ DC12V~24V Power input |
| TPC6000-C156i-L-1135G7-8G | 15.6"LCD /Intel 1135G7 2.4 GB quad-core CPU/onboard 8 GB DDR4 / No hard disk /2 x RS232 or RS485 optional /2 x LAN /4 x USB3.0 / Capacitive touch screen/resolution 1920 x 1080/ DC12~24V Power input |

Option Items:

| Material NO. | Specifications |
|---------------|--|
| 5040100001... | 4G/3G module (option Quectel EC20,EC25,EG25..) MINI PCIE type |