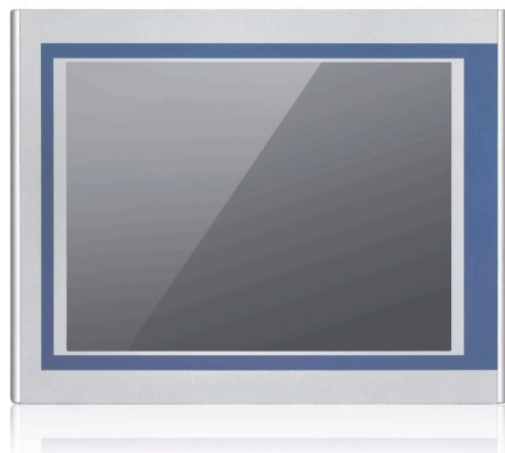


TPC6000-A152

15-inch Intel Bay trail fanless industrial panel PC

Touch Panel PC



DC12V



DC9~30V

Specifications

System

Processor : Onboard Intel Bay trail J1900 quad-core processor, clock 2GHz

Chipset : Intel Bay trail SOC (TDP10W)

Memory : Support DDR3 2G/4G/8G memory

Hard disk : Support SATA 2.5 "SSD, HDD and mSATA

Display : Integrated Graphics, support VGA&HDMI

Watchdog : Programmable from 1 to 25 seconds

OS : Win7/Win8/WES7/Linux/Android

I/O port

LAN : 2 Realtek RTL8111F 1000 Mbps Ethernet port

COM : 6 RS232 (COM1, COM5 and COM6 optional RS485)

USB : 1 USB 3.0 and 3 USB2.0 ports

Speaker : Built-in small Speaker

Expansion : 1 Mini-PCIe slots, scalable 3G, Wifi card

Other I/O : Power switch, DC IN, VGA, HDMI

LCD

Size / Type : 15" TFT LCD

Resolution : 1024×768

Backlit : LED

MTBF : 30000 hours

Brightness : 450cd/sqm

Display area : 304.13×228.10mm

Institutional

Front Panel : Aluminum-magnesium alloy die-casting, cover with PET film, IP65 degree of protection

Box structure : High-strength sheet metal structure, high temperature paint handling

Cooling mode : Large area designed finned heat sinks

Mounting : Supports Panel and VESA mounting

Overall size : 395×313×82mm(W×H×D)

Case Size : 373×297×76mm(W×H×D)

Hole Size : 376×300mm(W×H)

Weight : 4.83kg

Touch screen

Size / Type : 15 inch High Temperature five-wire resistive screen

Resolution : 4096x4096

Click life : 250g efforts, 35 million times

Draw life : 250g efforts, 5 million times

Transmittance : More than 81%

Power and Environmental

Working tem. : -20~+60°C (Wide temperature SSD)

Storage tem. : -30~+80°C

Relative humidity : 10~95%@40°C (No condensation)

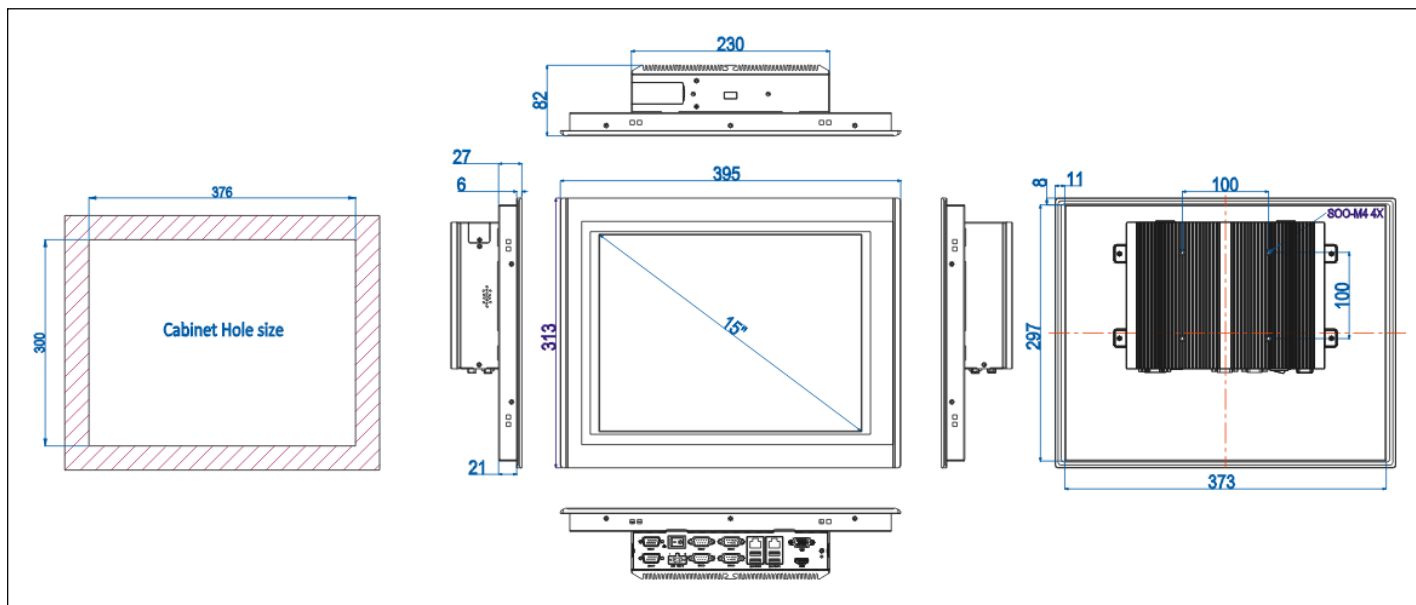
Vibrating : 50~500Hz, 1.5G, 0.15mm Peak to peak

Shock : 10G/peak (11ms sec)

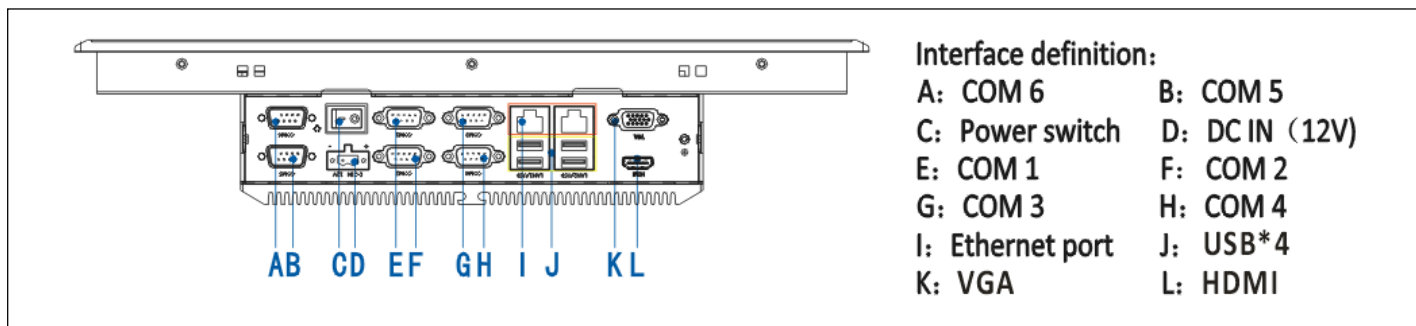
Power in : DC 12V (optional DC9~30V, with 4*COM, no speaker)

Consumption : 22 watt

Dimensions



I/O definition



Ordering Information

TPC6000-A152-T	: 15 inch TFT LCD/Resolution 1024x768/Resistive touch screen/J1900 Quad-Core 2GHz CPU/2*LAN/1*USB 3.0/3*USB 2.0/6x RS232(default),option 1~3*RS485/1*HDMI/1*VGA/DC12V
TPC6000-A152-T-DC24V	: 15 inch TFT LCD/Resolution 1024x768/Resistive touch screen/J1900 Quad-Core 2GHz CPU/2*LAN/1*USB 3.0/3*USB 2.0/4*RS232(default),option 1*RS485/1*HDMI/1*VGA/ DC9~30V

If you need memory and hard disk, please contact with sales.

Optional items	Detail	
Memory	2G/4G/8G,max to 8G	
Storage	Mini SATA SSD	32G/64G/128G/256G/512G...
	2.5 inches SSD	32G/64G/128G/256G/512G...
	2.5 inches HDD	500G/1T...
Wifi	7260 Series	
3G/4G module	EC20,EC25,EG25...	
Adapter	Input: 100~240V~50/60Hz 1.7A Output: +12.0V—5A,60Watt	