

NP-7125-H1

- Desktop High Performance CPU, Fanless design
- PoE, DIO and Light control All In One

■ Features

- Support Intel® Core™ 6th/7th/8th generation i7/i5/i3/Pentium/Celeron high performance processors, Max. TDP 35W
- 2 x Intel GbE LAN controller
- 4 x Intel GbE PoE LAN controller
- 4 x USB3.0, 1 x USB2.0 Type A on board for dongle
- 2 x RS232/RS485, RS485 support auto flow control
- VGA, DP and HDMI display port, support dual display
- 1 x miniPCIE expansion slot, Support Wifi,3G/4G modules
- 4 x PWM light control support external trigger input
- 16 x isolated DIO(8 x DI, 8 x DO)
- DC12~24V Power supply with overcurrent, overvoltage and polarity inverse protection
- Wide operating temperature -20 ~ 60°C supported

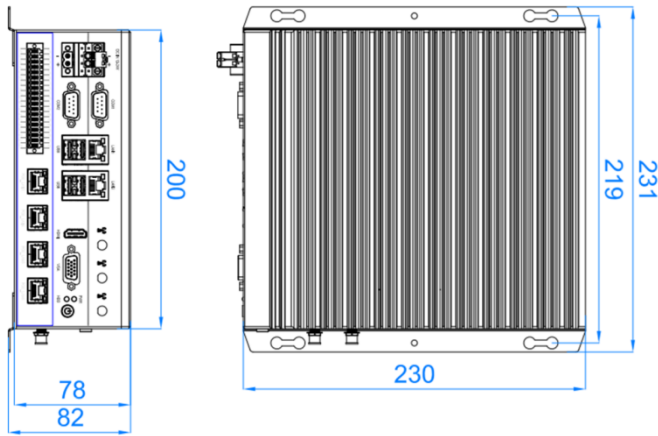


■ Specifications

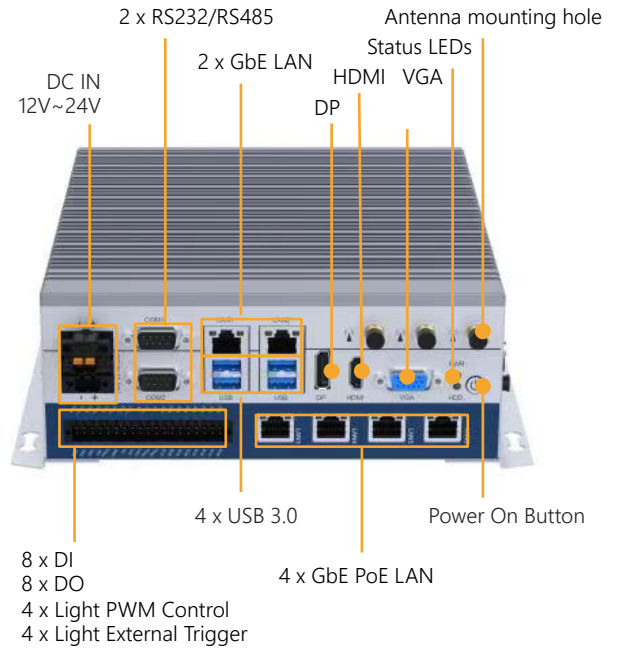
Model Name	NP-7125-H1	
System	CPU	Intel® Core™ 6th /7th /8th gen. i7/i5/i3/Pentium/Celeron LGA1151 type CPU
	TDP	Max. 35W
	BIOS	AMI UEFI 64Mbit
	Memory	2 x SO-DIMM DDR4-2400MHz, max up to 32GB
	Storage	1 x mSATA bay
		1 x M.2(B Key, Type 2280) bay support SATA
	USB	4 x USB3.0, 1 x USB2.0 Type A on the board for USB dongle
	COM	2 x COM(DB-9), selectable to support RS232 or RS485 mode by the switch, RS485 support auto flow control, (ESD protection for RS232: Air gap ±8KV, Contact ±6KV)
	Ethernet	2 x Intel GbE LAN controller
	PoE	4 x Intel GbE PoE LAN controller, max. 15W per channel
	DI	8 x DI NPN/PNP, isolated 2500 Vrms
	DO	8 x DO, Transistor output, I _{max} :0.5A per channel, isolated 2500 Vrms
	Light Control	4 x PWM Light power control with external trigger input, I _{max} : 1A per channel
	①VGA	Support up to 1920 x 1200 @ 60Hz
	①HDMI	Support up to 3840 x 2160 @ 60Hz
	①DP	Support up to 3840 x 2160 @ 60Hz
	Expansions	1 x Full-size PCIe Mini slot with SIM card holder(with USB signal)
Watch Dog	1~255 levels programmable	
OS Support	Microsoft Windows	Windows 10 IoT
	Linux	Ubuntu, CentOS, Debian
Power	Voltage Input	DC12~24V ±10%, overcurrent, overvoltage and polarity inverse protection, (Must be DC24V when using Light Control)
	Power Consumption	Max. 250W
Chassis	Structure	Wall-mounted, Fanless.
	Dimensions	(L)230mm x (W)200mm x (H)78mm
	Net Weight	3Kg
Environment	Work Temperature	-20°C ~ 60°C (-4°F ~ 140°F) with air flow (SSD)
	Storage Temperature	-40°C ~ 80°C (-40°F ~ 176°F) with air flow (SSD)
	Relative Humidity	5~95% (Non-condensing)
	Operating Vibration	5~500Hz, 1.5Grms@with SSD, Follow IEC60068-2-64
	Operating Shock	20G peak acceleration(11ms duration) with SSD, Follow IEC60068-2-27
EMC	CE/FCC Class A	

Note: ①Only supports dual display ports at the same time.

■ Dimensions (Unit: mm)



■ Interfaces



■ Ordering Information

Part No.	Product	Description
6070200218	NP-7125-H1	35watt CPU:NULL, RAM:NULL, mSATA:NULL, M.2 SATA:NULL, 2 x RS232/485(Selectable), 2 x LAN, 4 x USB3.0, VGA/HDMI display port, 8 x DI, 8 x DO, 4 x Light control, 4 x External trigger input, 4 x PoE LAN, DC12~24V Power input(must be DC24V input when using Light control), fanless design

■ Options

Parts	Description	
CPU	Intel® Pentium	G3900,G4400
	Intel® Core™ Skylake	I3-6100T,I5-6400T,I5-6500T,I7-6700T
	Intel® Core™ Kaby Lake	I3-7100T,I5-7400T,I5-7500T,I7-7700T
	Intel® Core™ Coffee Lake	I3-8100T,I5-8400T,I5-8500T,I7-8700T
DDR4 Memory	DDR4-2400MHz , 4GB, 8GB, 16GB	
mSATA SSD	64GB, 128GB, 256GB, 512GB , 1TB	
M.2 SATA SSD	128GB, 256GB, 512GB, 1TB, 2TB	
Wifi Set	miniPCIE WIFI Set (7260 series) ,Cylindrical antenna	
3G/4G Module	mini PCIE , EC20, EG25, EC25	

Note: If some optional parts are offered with the system, additional system certificates may be required in certain regions/countries. Please contact NODKA for certificate compliance.

Version	Editor	Date	Contents
V1.0	Tom Dong		First Release

R:0
G:92
B:172

R:136
G:221
B:255

R:210
G:244
B:255