

NP-6123

- Intel® Core™ 6/7/8 gen i7/i5/i3/ Pentium/Celeron Desktop High Performance CPU
- Control cabinet Industrial PC

NEW

■ Features

- Support Intel® Core™ 6th/7th/8th generation i7/i5/i3/pentium/Celeron high performance processors, Max.65W TDP
- 4 x Intel Gbe LAN controller
- 4 x USB3.0, USB2.0 Type A on board for dongle
- 1 x RS-232/485,RS-485 support auto flow control
- Support VGA and HDMI display port
- 2 x miniPCIE expansion slot, Support Wifi,3G/4G/5Gmodules
- Supports mSATA
- DC12~24V Power supply with overcurrent, overvoltage and polarity inverse protection
- Book style and wall-mounted, small size(200mm x 154.5mm x 57.6mm)
- Fully enclosed structure, no cable design and sturdy aluminum profile chassis with fan embedded to get a better cooling system
- Wide operating temperature -20 ~ 60°C supported

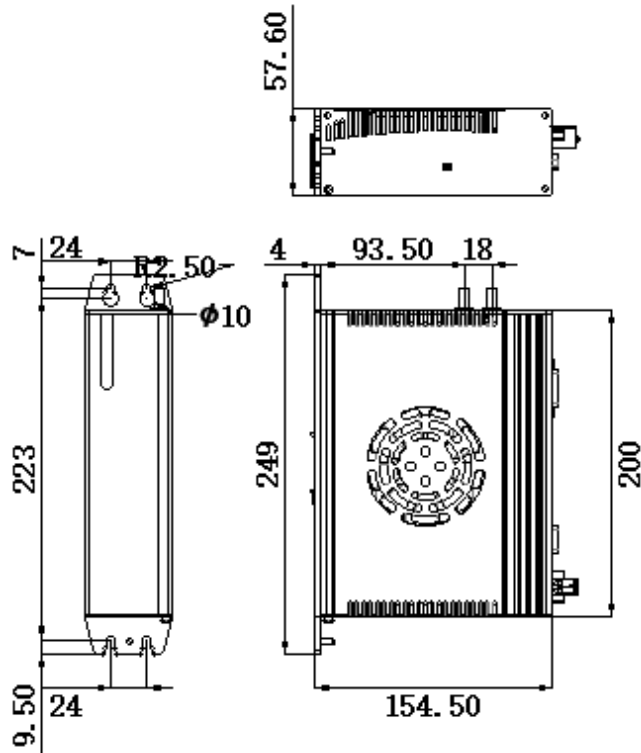


■ Specifications

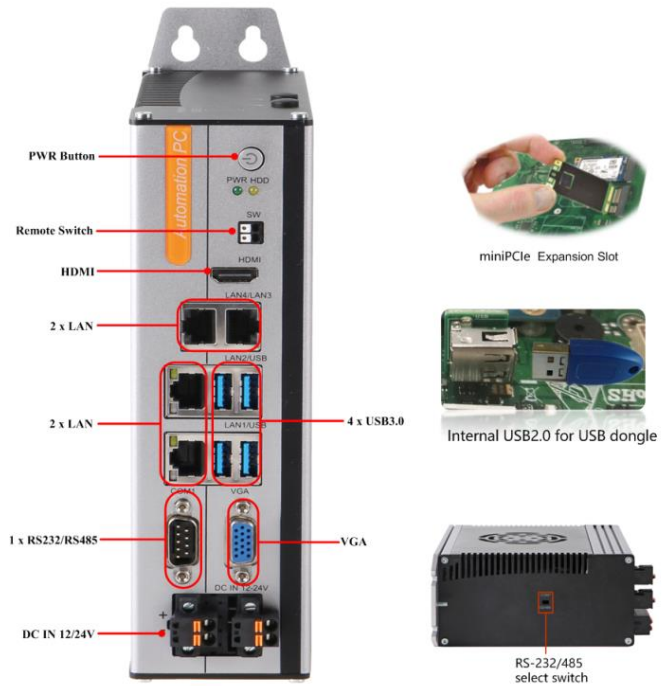


Model Name		NP-6123
Processor	CPU	Intel® Core™ 6/7/8代 i7/i5/i3/pentium/celeron LGA1151 type CPU. Max.65W TDP
	BIOS	AMI UEFI 128Mbit
Memory	DIMM	2 x 260-pin SODIMM
	Capacity	DDR4-2400MHz, 8GB pre-installed(system max: 32GB)
Storage	mSATA	1 x Full-size PCIe Mini slot support mSATA
I/O	USB	4 x USB3.0(USB2.0 compliant), 1 x USB2.0 Type A on the board for USB dongle
	COM	1 x COM(DB-9), selectable to support RS-232 or 485 mode by the switch, RS-485 support auto flow control
Ethernet	LAN1~LAN4	Intel 10/100/1000Mbps controller
Display	VGA	Support up to 1920 x 1200@60Hz
	HDMI	Support up to 3840 x 2160@60Hz
Expansions	miniPCle	2 x Full-size PCIe with SIM holder
Other	Watch Dog	0~255 seconds programmable
Power	Voltage Input	DC12~24V ±10%, overcurrent, overvoltage and polarity inverse protection
	Power Consumption	Typical:30W ,120W in maximum
Chassis	Structure	Aluminum-magnesium alloy BOX with fan embedded to assist cooling, Wall-mounted
	Dimensions	(L)200mm x (W)154.5mm x (H)57.6mm
	Net Weight	1.9 Kg
Reliability	Work Temperature	-20°C ~ 60°C (-4°F~140°F) with air flow (mSATA), 5~95% (Non-condensing)
	Storage Temperature	-40°C ~ 80°C (-40 ~ 176°F) with air flow (msATA), 5~95% (Non-condensing)
	Operating Vibration	SSD : 1.5 Grms, IEC 60068-2-64, random, 5 ~ 500 Hz, 1 hr/axis
	Operating Shock	SSD applied: 10 G, IEC 60068-2-64, half-sine wave, 11ms duration
	EMC	CE/FCC Class A
OS	Windows	Windows 10 IoT
	Linux	Ubuntu

■ Dimensions(Unit: mm)



■ Interfaces



■ Ordering Information

Product Code	Configuration
NP-6123	CPU:NULL, RAM:NULL, mSATA:NULL,,1 x RS-232/485(Selectable), 4 x LAN, 4 x USB3.0,VGA/HDMI display port, DC12~24V Power input

■ Options

Parts	Description
CPU	Intel® Pentium G4400, G4560
	Intel® Core™ Skylake I3-6100,I3-6100T,I5-6400,I5-6400T,I5-6500,I5-6500T,I7-6700,I7-6700T
	Intel® Core™ Kaby Lake I3-7100,I5-7400,I5-7500,I7-7700,I7-7700T
	Intel® Core™ Coffee Lake I3-8100,I5-8400,I5-8500,I7-8700
DDR4 Memory	DDR4-2400MHz , 4GB, 8GB, 16GB
mSATA SSD	64GB, 128GB, 256GB, 512GB
Wifi	miniPCIE WIFI Set (7260HMWBN) ,Cylindrical antenna
4G set, EC20 3G Modules	mini PCIE , Support GSM、 WCDMA、 CDMA