

NP-6111-JH3

- Fanless, Low power consumption
- 8 x USB, 2 x CAN Bus, 8 x DI, 8 x DO

■ Features

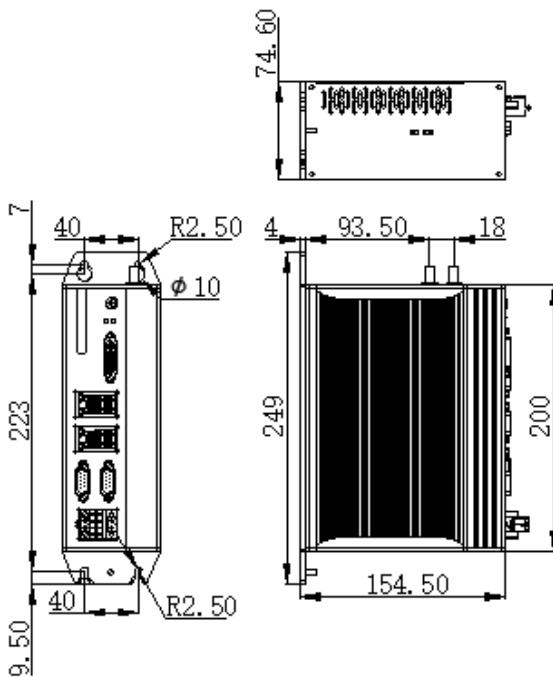
- 2 x Intel GbE LAN controller
- 8 x USB on the front, 1 x USB2.0 on board for USB dongle
- 4 x RS232/485, RS485 support auto flow control
- 8 x isolated DI, 8 x isolated DO
- 2 x CAN Bus 2.0 A/B
- 1 x miniPCIe expansion slot, support Wifi,3G/4G modules
- DC12~24V Power supply with overcurrent, overvoltage and polarity inverse protection
- Support wall-mounted or DIN-Rail fixing style
- Fully enclosed structure, fanless and no cable design
- Wide operating temperature -20 ~ 60°C supported



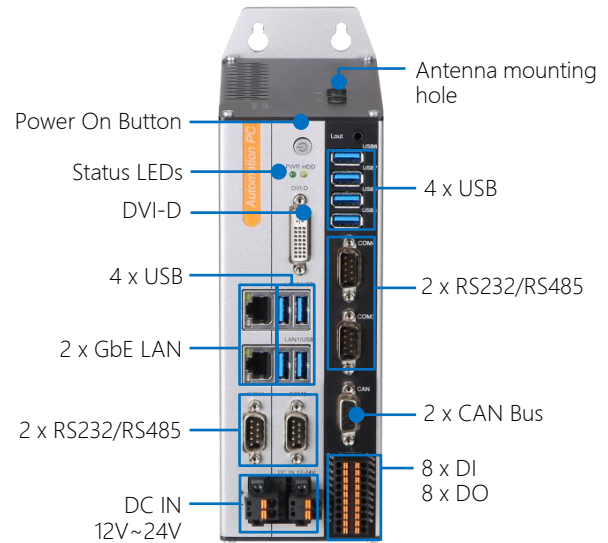
■ Specifications

| Model Name | | NP-6111-JH3-J1900 | NP-6111-JH3-E3845 | NP-6111-JH3-J3455 | NP-6111-JH3-J6412 | |
|-------------|---------------------------|-----------------------------------------------------------------------------------------------------------------------------------------------------------------|-------------------------------------------------------------|-------------------------------------------------------------------|---------------------------------------------------------------------|--|
| System | CPU | Intel® Celeron J1900, 2.0GHz, 4 cores/4 threads, 2MB L2 cache | Intel® Atom E3845, 1.91GHz, 4 cores/4 threads, 2MB L2 cache | Intel® Celeron J3455, 1.5~2.3GHz, 4 cores/4 threads, 2MB L2 cache | Intel® Celeron J6412, 2.0~2.6GHz, 4 cores/4 threads, 1.5MB L2 cache | |
| | TDP | 10W | | | | |
| | BIOS | AMI UEFI 64Mbit | | | | |
| | Memory | 1 x SO-DIMM DDR3L-1333MHz (max. 8GB) | | | 1 x SO-DIMM DDR4-2400MHz (max. 16GB) | |
| | Storage | 1 x mSATA bay | | | | |
| | USB | 1 x USB3.0, 7 x USB2.0 | | 2 x USB3.0, 6 x USB2.0 | | |
| | | 1 x USB2.0 Type A on the board for USB dongle | | | | |
| | COM | 4 x COM(DB-9), selectable to support RS232 or RS485 mode by the switch, RS485 support auto flow control, (ESD protection for RS232: Air gap ±8KV, Contact ±6KV) | | | | |
| | Ethernet | 2 x Intel GbE Ethernet | | | | |
| | DI | 8 x DI NPN/PNP, isolated 2500 Vrms | | | | |
| | DO | 8 x DO, Transistor output, I _{max} :0.5A per channel, isolated 2500 Vrms | | | | |
| | CAN Bus | 2 x isolated CAN Bus 2.0 A/B | | | | |
| | DVI-D | Support up to 1920 x 1080 @ 60Hz | | | | |
| | Expansions | 1 x Full-size PCIe Mini slot with SIM card holder(with USB signal) | | | | |
| Watch Dog | 1~255 levels programmable | | | | | |
| OS Support | Microsoft Windows | Windows 7, Windows 7 Embedded, Windows 10 IoT | | | | |
| | Linux | Ubuntu, CentOS, Debian | | | | |
| Power | Voltage Input | DC12~24V ±10%, overcurrent, overvoltage and polarity inverse protection | | | | |
| | Power Consumption | Max. 60W | | | | |
| Chassis | Structure | Aluminum-magnesium alloy box, Fanless, Wall-mounted or DIN-Rail | | | | |
| | Dimensions | (L)200mm x (W)154.5mm x (H)74.6mm | | | | |
| | Net Weight | 2.1Kg | | | | |
| Environment | Work Temperature | -20°C ~ 60°C (-4°F~140°F) with air flow (SSD) | | | | |
| | Storage Temperature | -40°C ~ 80°C (-40°F ~ 176°F) with air flow (SSD) | | | | |
| | Relative Humidity | 5~95% (Non-condensing) | | | | |
| | Operating Vibration | 5~500Hz, 1.5Grms@with SSD, Follow IEC60068-2-64 | | | | |
| | Operating Shock | 20G peak acceleration(11ms duration) with SSD, Follow IEC60068-2-27 | | | | |
| EMC | CE/FCC Class A | | | | | |

■ Dimensions (Unit: mm)



■ Interfaces



■ Ordering Information

| Part No. | Product | Description |
|------------|-------------------|-----------------------------------------------------------------------------------------------------------------------------------------------|
| 6070200078 | NP-6111-JH3-J1900 | CPU:J1900,RAM:NULL, mSATA: NULL, 4 x COM(RS232/485 selectable) , 2 x LAN, 1 x USB3.0, 7 x USB2.0, DVI-D, 8 x DI, 8 x DO, DC12~24V Power input |
| 6070200114 | NP-6111-JH3-E3845 | CPU:E3845,RAM:NULL, mSATA: NULL, 4 x COM(RS232/485 selectable) , 2 x LAN, 1 x USB3.0, 7 x USB2.0, DVI-D, 8 x DI, 8 x DO, DC12~24V Power input |
| 6070200179 | NP-6111-JH3-J3455 | CPU:J3455,RAM:NULL, mSATA: NULL, 4 x COM(RS232/485 selectable) , 2 x LAN, 2 x USB3.0, 6 x USB2.0, DVI-D, 8 x DI, 8 x DO, DC12~24V Power input |
| 6070200180 | NP-6111-JH3-J6412 | CPU:J6412,RAM:NULL, mSATA: NULL, 4 x COM(RS232/485 selectable) , 2 x LAN, 2 x USB3.0, 6 x USB2.0, DVI-D, 8 x DI, 8 x DO, DC12~24V Power input |

■ Options

| Parts | Description |
|--------------|------------------------------------------------------|
| DDR3L Memory | DDR3L-1333MHz: 4GB, 8GB |
| DDR4 Memory | DDR4-2400MHz: 4GB, 8GB, 16GB |
| mSATA SSD | 64GB, 128GB, 256GB, 512GB, 1TB |
| Wifi Set | miniPCIE WIFI Set (7260 series) ,Cylindrical antenna |
| 3G/4G Module | mini PCIE: EC20, EG25, EC25 |
| Mount Option | DIN-Rail |

Note: If some optional parts are offered with the system, additional system certificates may be required in certain regions/countries. Please contact NODKA for certificate compliance.