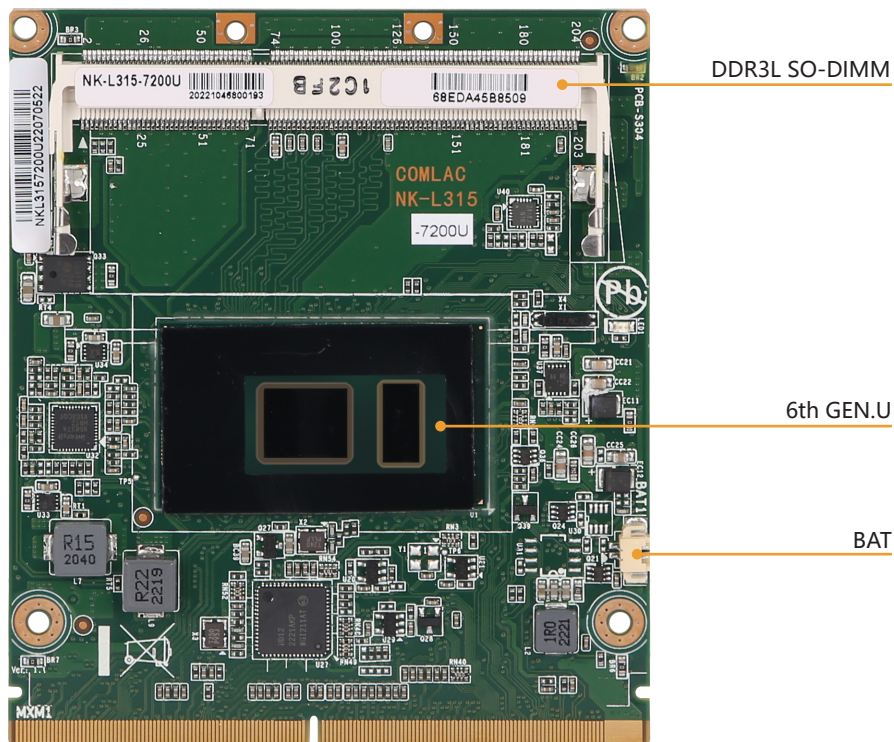


NK-L315-3855U/6200U/7600U

95*82 SkyLake/KabyLake U Comlac Board

特点 Feature

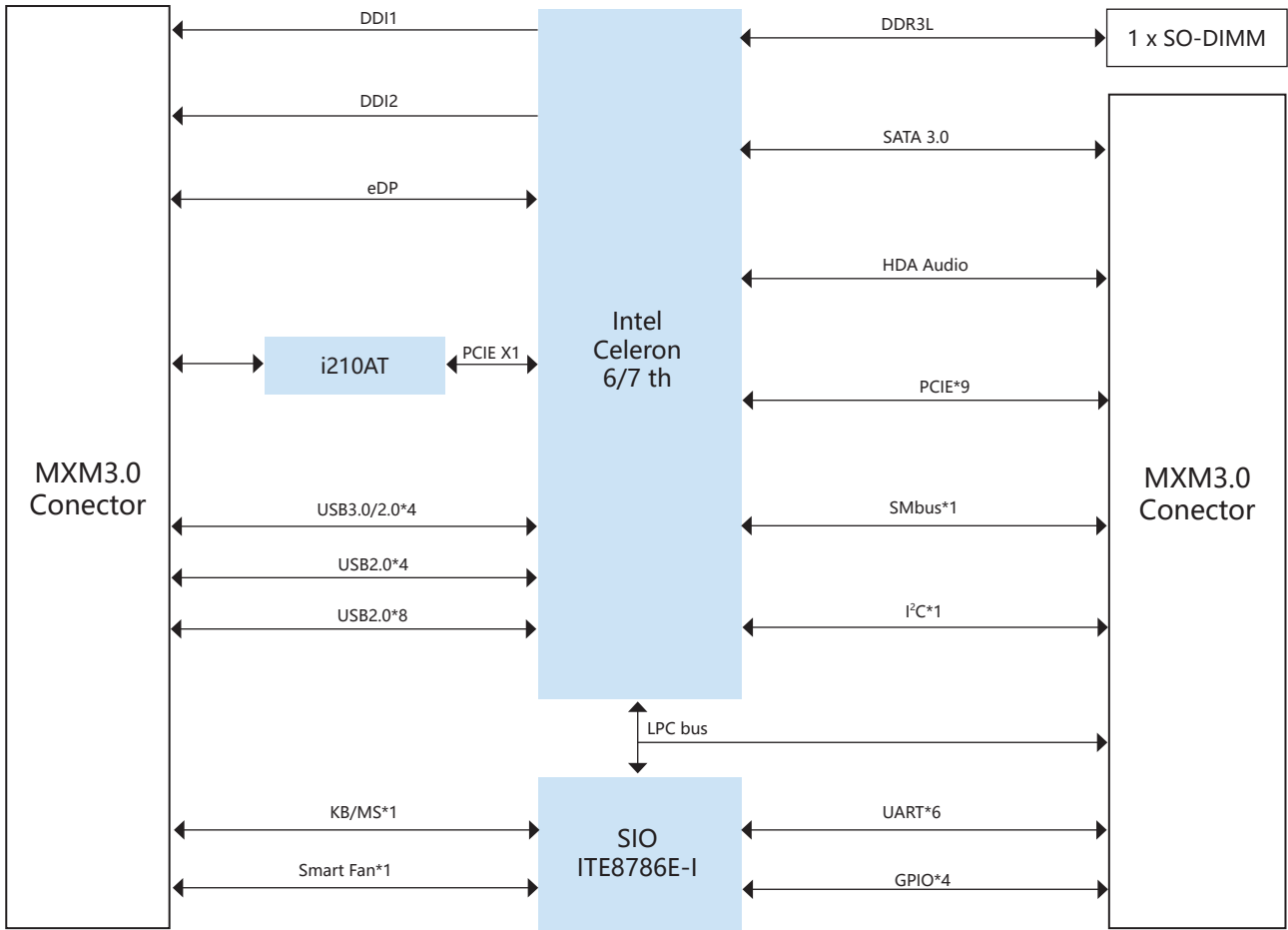
- Intel® Celeron® 3855U processor, Dual-core, base frequency 1.6GHz , TDP 15W
- Intel® Celeron® i5-6200U processor, Dual-core, base frequency 2.3GHz up to 2.8GHz , TDP 15W
- Intel® Core™ i7-7600U processor, Dual-core, base frequency 2.8GHz up to 3.9GHz , TDP 15W
- Support 1 xDDR3L-1600MHz SO-DIMM slot, up to 8GB
- Support 1 xeDP,2 x DDI Tri-display
- Type3 Interface Signals with MXM3.0 Gold Finger



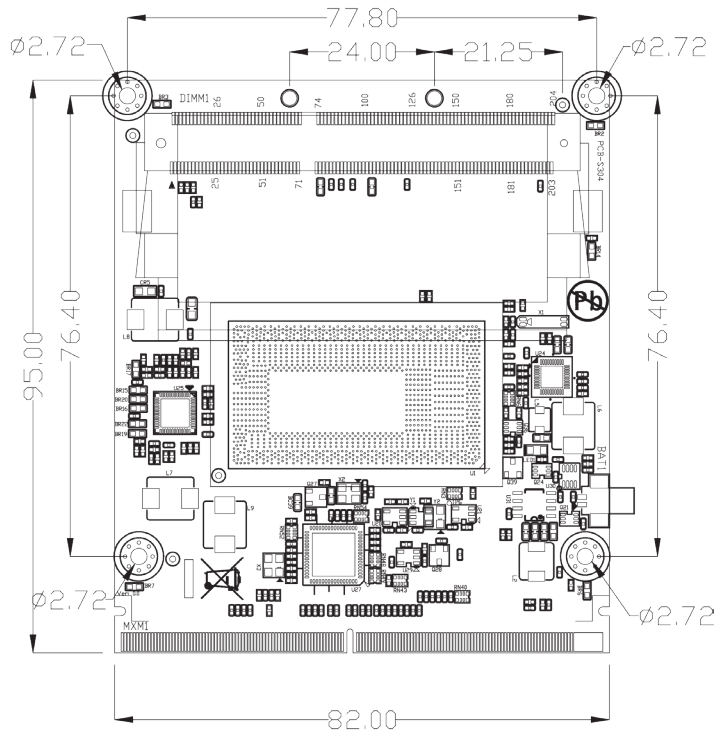
规格 Specification

处理器 Processor System	CPU	Intel® 6/7th Gen.U Celeron Core processor, TDP 15W
	芯片组 Chipset	Intel® SoC integrated
	BIOS	AMI 128Mb UEFI BIOS
内存 Memory	技术 Technology	Single Channel(Non-ECC) DDR3L-1600MHz, up to 8GB
	插槽 Slot	1 x DDR3L 240-pin SO-DIMM slot
图形 Graphic	控制器 Controller	Intel HD graphics integrated
扩展接口 Expansion Signals	显示 Display	2 x DDI,1 x eDP
	串口 Serial Port	2 x Uart(9line),4 x Uart(3line)
	USB	4 x USB3.0 ,8xUSB2.0
	SATA	2 x SATA 3.0
	PCIe	5 port 8 lanes (1 X4、 1 X2、 2 X1)
	GPIO	1 x 4bit GPIO
	Audio	1 x Intel HDA Audio codec
	Fan	1 x Smart Fan
	网络 Ethernet	Intel i210AT controller
	其他 others	1 x I ² C,1 x SMBus,1 x LPC,1 x Buzzer, 1 x KB/MS
	看门狗定时器 Watchdog Timer	输出 & 间隔 Output&Interval
电源 Power	Power input	5V
操作系统 OS Support	MS Windows	Windows 7(Only support with Intel 6th Gen. CPU),Windows 10
	Linux	Linux
机械参数 Mechanism	尺寸 Dimensions	(L)95mm x (W)82mm
	净重 Gross Weight	0.04kg
环境 Environment	温度 Temperature	Operating: 0°C ~60°C with SSD
		Storage: -40°C ~85°C
	湿度 Humidity	5~95% (Non-condensing)
	振动 Vibration	5~500Hz, 3Grms operating

框架图 Block Diagram



机构图 Mechanical Drawing



单位 (Unit): mm

订购信息 Order Information

料号 Part No.	型号 Model	描述 Description
F04.L31502.00.S12	NK-L315-3855U	Type 3,95*82mm SkyLake-U,3855U,1x DDR3L SO-DIMM
F04.L31504.00.S12	NK-L315-6200U	Type 3,95*82mm SkyLake-U,I5- 6200U,1x DDR3L SO-DIMM
F04.L31504.00.S12	NK-L315-7600U	Type 3,95*82mm KabyLake-U,I7- 7600U,1x DDR3L SO-DIMM

包装清单 Packing List

料号 Part No.	数量 Qty	描述 Description
	1	NK-L315 Comlac User manual