

ICP6915



ICP6915

V1.1

INDUSTRIAL OPERATION PANEL

Intel® Celeron™ 4205U/Core i5 7200U

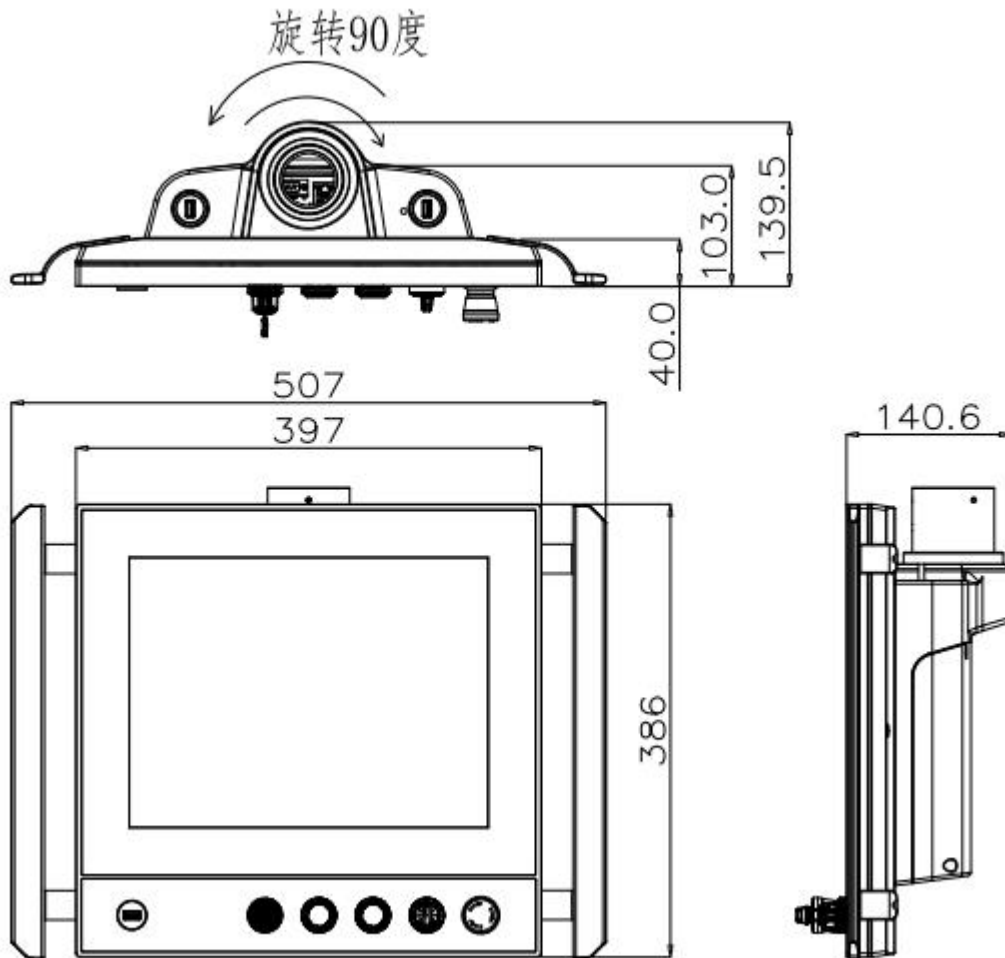
Highly integrated cantilever industrial system operation panel

Specifications:



		ICP6915
Processor	CPU	Support Intel® Celeron™ 4205U/ Core i5 7200U
	Main Frequency	Dual Core 1.8GHz/2.5Hz
	L3 Cache	2MB / 3MB
	Memory	Support DDR4 2400MHz / DDR3L 1600 MHz, 1 * SO-DIMM Slot, Up to 16GB
	Storage interface	1 x 2.5" SATA HDD + 1 x mSATA
I/O	Ethernet	1 x Intel 1000Mbps RJ-45 Ethernet interface
	Audio	Optional
	USB	4 x USB3.0/2.0/1.1
	Serial port	2 x RS-232 / RS-485 with surge protection, RS485 support automatic flow control
	Expansion slot	1 x Mini-PCIe slot, extensible 3G, WIFI wireless card
Physical	Weight	8.3KG
	Pensile Direction	Optional Up or Down
	Fixed Stand of Cantilever	Suitable for full series
	Handle of Operation Panel	Standard
	Keyboard tray	optional
	Operation Button	Optional Item, Nodka Standard: USB、Rotatable switch、Push button (Green , Red), Key switch、Emergency stop switch)
	Dimension (W x H x D)	507mm x 386mm x 139.5mm
OS	OS	Windows 7, Windows8, Windows10, Linux
Power	DC input	DC 12-24V support reverse polarity protection, overvoltage protection, overcurrent protection
	Maximum Power Dissipation	Depend on the processor
LCD	LCD Type	15" XGA TFT
	Resolution	1024*768
	Colors	16.7MB
	Active Area (W x H)	304.13mm x 228.10mm
	Backlight	LED
	MTBF (hour)	30000hrs
	Pixel Pitch (H x V)	0.297 x 0.297
	Luminance	420cd/m 2
	Contrast Ratio	800:1
	Viewing Angle	(L) 80 / (R) 80 / (T) 80 / (B) 80
Touchscreen	Touchscreen type	Capacitive touch screen
	Transmittance	> 81%
	Response Time (touch pen)	< 5ms
	Surface Hardness	Mohs Hardness 7H
	Click Life	250g / 100,000,000 times
	Multi-touch	10 points
	Work Temperature	-10 ~ 60°C (14~140°F)
Storage Temperature	-20 ~ 80°C (-4 ~ 176°F)	
Relative Humidity	5~95% (Non-condensation)	
Environmental	Shake	SSD applied: 1.5 Grms, IEC 60068-2-64, random, 5 ~ 500 Hz, 1 hr/axis
	Shock	SSD applied: 10 G, IEC 60068-2-27, Half-sine wave, 11ms duration
	EMC	CE/FCC Class B
	Water-proof	IP65

ICP6915 Dimension:



Order Price Table:

ICP6915	Specification
ICP6915-C-WL4205U-4G	15"LCD/1024*768/capacitive touchscreen/4205U 1.8G CPU/4G memory/no hard disk /DC12V~24V input
ICP6915-C-SL7200U-4G	15"LCD/1024*768/ capacitive touchscreen /7200U 2.5G CPU /4G memory/no hard disk /DC12V~24V input