



# IDP5915

V1.1

## INDUSTRIAL OPERATION PANEL

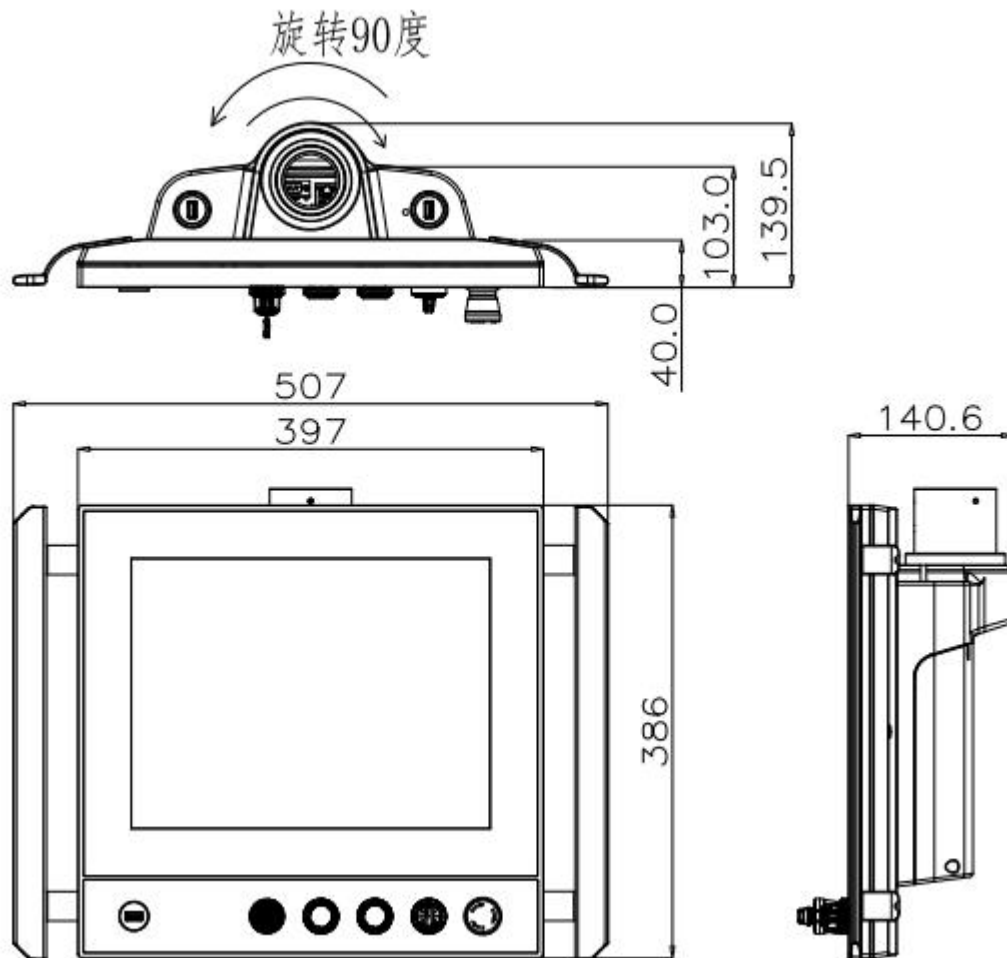
Highly integrated cantilever display panel for industrial systems

## Specifications:



		IDP5915
<b>Input interface</b>	Signal input	Supports VGA+DVI input
	Communication interface	USB2.0 input
<b>Physical</b>	Weight	8.3KG
	Pensile Direction	Optional Up or Down
	Fixed Stand or Cantilever	Suitable for full series
	Handle of Operation Panel	Standard
	Keyboard tray	optional
	Operation Button	Optional Item, Nodka Standard: USB、Rotatable switch、Push button (Green , Red ), Key switch、Emergency stop switch)
	Dimension (W x H x D)	507mm x 386mm x 139.5mm
<b>Power</b>	Input voltage	DC 12-24V support reverse polarity protection, overvoltage protection, overcurrent protection
	Maximum Power Dissipation	10W
<b>LCD</b>	LCD Type	15" XGA TFT
	Resolution	1024*768
	Colors	16. 7MB
	Active Area (W x H)	304.13mm x 228.10mm
	Backlight	LED
	MTBF (hour)	30000hrs
	Pixel Pitch (H x V)	0.297 x 0.297
	Luminance	420cd/m <sup>2</sup>
	Contrast Ratio	800:1
	Viewing Angle	(L) 80 / (R) 80 / (T) 80 / (B) 80
<b>Touchscreen</b>	Touchscreen type	Capacitive Touchscreen
	Transmittance	> 81%
	Response Time (touch pen)	< 5ms
	Surface Hardness	Mohs Hardness 7H
	Click Life	250g / 100,000,000 times
	Multi-touch	10 Points
<b>Environmental</b>	Work Temperature	-10 ~ 60°C (14~140°F)
	Storage Temperature	-20 ~ 80°C (-4 ~ 176°F)
	Relative Humidity	5~95% (Non-condensation)
	Shake	SSD applied: 1.5 Grms, IEC 60068-2-64, random, 5 ~ 500 Hz, 1 hr/axis
	Shock	SSD applied: 10 G, IEC 60068-2-27, Half-sine wave, 11ms duration
	EMC	CE/FCC Class B
	Water-proof	IP65

## IDP5915 Dimension:



**Order Price Table:**

IDP5915	Specification
IDP5915-C	15"LCD/1024*768/ capacitive touchscreen /DC12V~24V input