

eBOX-3240-C2

- Fanless Industrial BOX PC
- Low power consumption and high performance

Feature

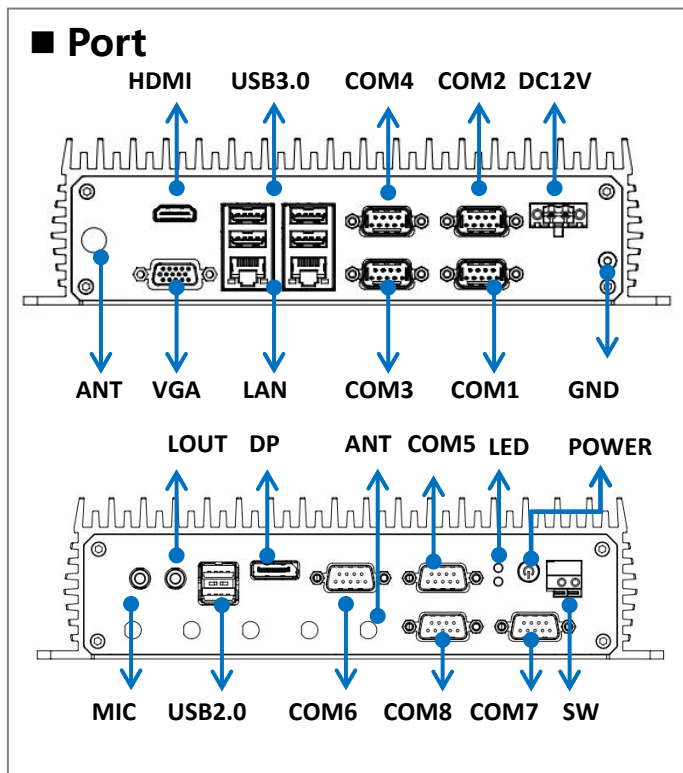
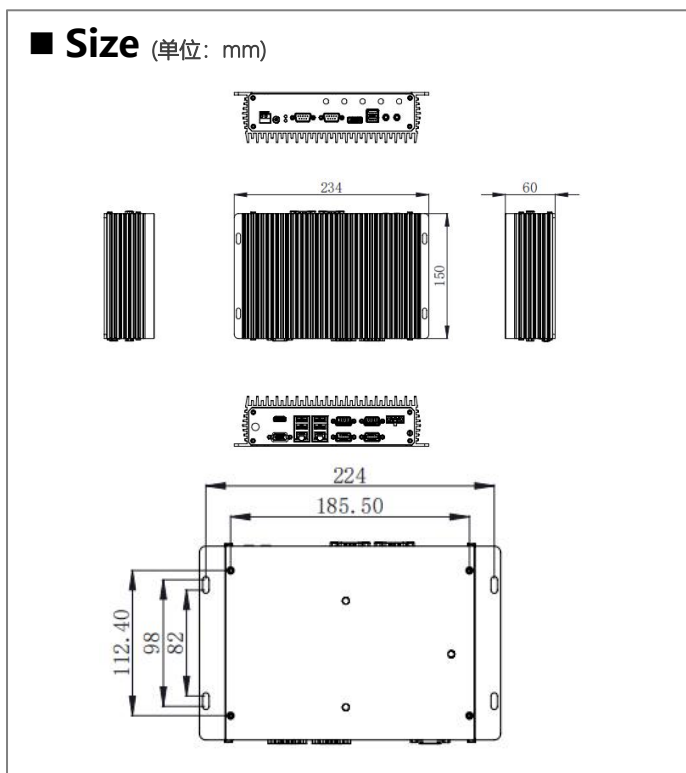
- Intel® Celeron™ J6412
- 2 x Realtek GbE LAN
- 4 x USB3.0, 2 x USB2.0
- 6 x RS232/RS485, 2 x RS232 (Extended 2 serial port interchangeable CAN)
- Support HDMI, DP, VGA display interface
- 1 x MiniPCIe expansion slot for 3G/4G modules
- 1 x M.2 expansion slot for 5G module with extensible USB protocol
- 1 x SATA, 1 x M.2 Hard Disk ports: SATA hard disks
- DC12V Power supply with overcurrent, overvoltage and polarity inverse protection
- Wide operating temperature -20 ~ 60°C supported



Specifications



Model Name		eBOX-3240-C2
Processor	CPU	Intel® Celeron™ J6412, 2.0GHz, 1.5MB
Memory	DIMM	2*DDR4L-2666/2933/3200MHz, MAX 32GB
Storage	SSD	1 x SATA, 1 x M.2 Key-M Slot (SATA SSD, 2242/2280)
I/O	USB	4x USB3.0, 2 x USB2.0
	COM	6 x COM1-4, COM7-8 selectable to support RS232 or RS485 mode by the switch, RS485 support auto flow control, 2 x RS-232 (COM5-6); Extended 2 serial port interchangeable CAN
Ethernet	LAN	2 x 10/100/1000Mbps Ethernet
Display	HDMI	4096 x 2160@30Hz
	DP	4096 x 2160@30Hz
	VGA	1920 x 1200@60Hz
Expansions	miniPCIe	1 x Full-size PCIe Mini slot with SIM holder, 1 x M.2 expansion slot for 5G module with extensible USB protocol
Other	Watch Dog	0~255 level programmable
Power	Voltage Input	DC12V ±10%, overcurrent, overvoltage and polarity inverse protection
	Power Consumption	Typical: 10-15W
Chassis	Structure	Aluminum-magnesium alloy box, Fanless, Wall-mounted
	Dimensions	(L)234mm x (W)150mm x (H)60mm
	Net Weight	1.5Kg
Reliability	Work Temperature	-20°C ~ 60°C (-4°F ~ 140°F) with air flow (mSATA), 5~95% (Non-condensing)
	Storage Temperature	-40°C ~ 80°C (-40°F ~ 176°F) with air flow (mSATA), 5~95% (Non-condensing)
	Operating Vibration	5~500Hz, 1.5Grms@with SSD, Follow IEC60068-2-64
	Operating Shock	10G peak acceleration(11ms duration) with SSD, Follow IEC60068-2-27
	EMC	CE/FCC Class B
OS	Microsoft Windows	Windows 10 IoT
	Linux	Ubuntu



Ordering Information

P/N	Model Name	Specifications
6033000001	eBOX-3240	Net products: J6412/2*RS232/4*(RS232/485)/DC12V input
6033000002	eBOX-3240-C2	Net products:J6412/2*RS232/4*(RS232/485)/Extended 2 CAN or 2 serial port /DC12V input
6033000003	eBOX-3240-L2	Net products:J6412/2*RS232/4*(RS232/485)/Extended 2 LAN /DC12V input

Options

Accessories	Specifications
DDR4 memory	4GB,8GB,16GB
2.5 SSD	128GB,256GB,512GB... ..
M.2 SSD	512GB, 1TB... ..
4G module	mini PCIE: EC20, EG25, EC25
5Gmodule	m.2: FM150-AE-01-50
Serial card	mini PCIE: SGW-ME352A_V16

注意: 如果系统提供了一些可选部件, 在某些地区/国家可能需要额外的系统兼容性认证, 请联系 NODKA 以了解系统兼容性。