

eBOX-3240

- Fanless Industrial BOX PC
- Low power consumption and high performance

Feature

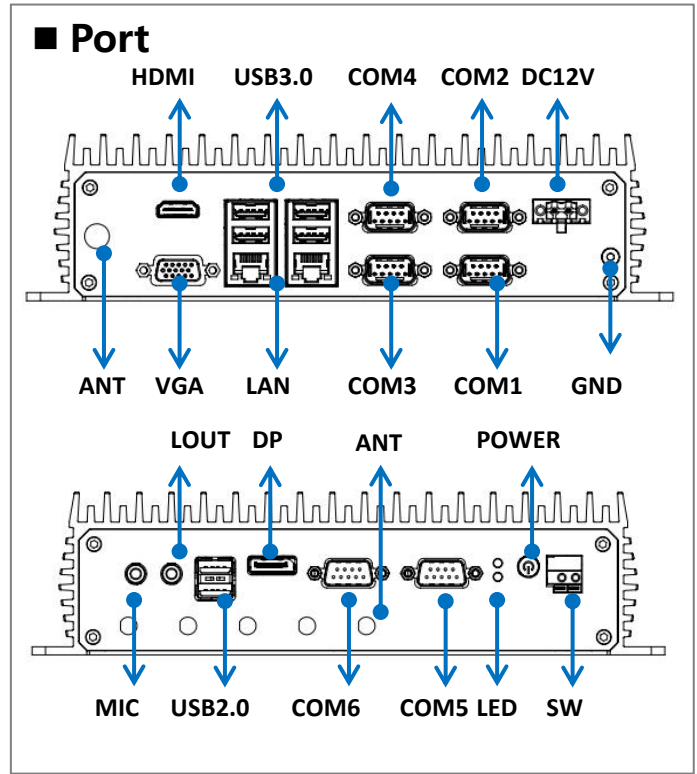
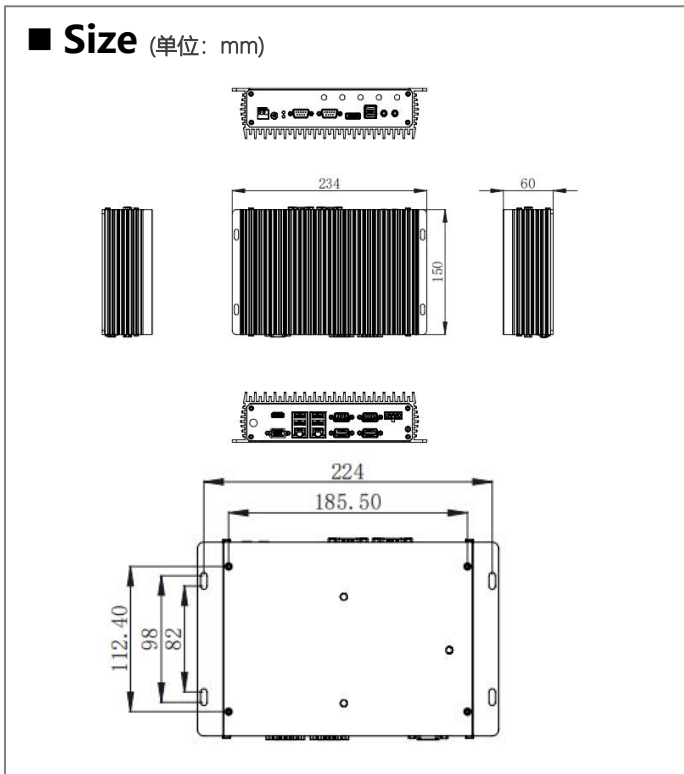
- Intel® Celeron™ J6412
- 2 x Realtek GbE LAN
- 4 x USB3.0, 2 x USB2.0
- 4 x RS232/RS485, 2 x RS232
- Support HDMI, DP, VGA display interface
- 1 x MiniPCIe expansion slot for 3G/4G modules
- 1 x M.2 expansion slot for 5G module with extensible USB protocol
- 1 x SATA, 1 x M.2 Hard Disk ports: SATA hard disks
- DC12V Power supply with overcurrent, overvoltage and polarity inverse protection
- Wide operating temperature -20 ~ 60°C supported



Specifications



| Model Name | | eBOX-3240 |
|-------------|---------------------|---|
| Processor | CPU | Intel® Celeron™ J6412, 2.0GHz, 1.5MB |
| Memory | DIMM | 2*DDR4L-2666/2933/3200MHz, MAX 32GB |
| Storage | SSD | 1 x SATA, 1 x M.2 Key-M Slot (SATA SSD, 2242/2280) |
| I/O | USB | 4x USB3.0, 2 x USB2.0 |
| | COM | 4 x COM1-4, selectable to support RS232 or RS485 mode by the switch, RS485 support auto flow control, 2 x RS-232 (COM5-6) |
| Ethernet | LAN | 2 x 10/100/1000Mbps Ethernet |
| Display | HDMI | 4096 x 2160@30Hz |
| | DP | 4096 x 2160@30Hz |
| | VGA | 1920 x 1200@60Hz |
| Expansions | miniPCIe | 1 x Full-size PCIe Mini slot with SIM holder, 1 x M.2 expansion slot for 5G module with extensible USB protocol |
| Other | Watch Dog | 0~255 level programmable |
| Power | Voltage Input | DC12V ±10%, overcurrent, overvoltage and polarity inverse protection |
| | Power Consumption | Typical: 10-15W |
| Chassis | Structure | Aluminum-magnesium alloy box, Fanless, Wall-mounted |
| | Dimensions | (L)234mm x (W)150mm x (H)60mm |
| | Net Weight | 1.5Kg |
| Reliability | Work Temperature | -20°C ~ 60°C (-4°F ~ 140°F) with air flow (mSATA), 5~95% (Non-condensing) |
| | Storage Temperature | -40°C ~ 80°C (-40°F ~ 176°F) with air flow (mSATA), 5~95% (Non-condensing) |
| | Operating Vibration | 5~500Hz, 1.5Grms@with SSD, Follow IEC60068-2-64 |
| | Operating Shock | 10G peak acceleration(11ms duration) with SSD, Follow IEC60068-2-27 |
| | EMC | CE/FCC Class B |
| OS | Microsoft Windows | Windows 10 IoT |
| | Linux | Ubuntu |



Ordering Information

| P/N | Model Name | Specifications |
|------------|--------------|---|
| 6033000001 | eBOX-3240 | Net products: J6412/2*RS232/4*(RS232/485)/DC12V input |
| 6033000002 | eBOX-3240-C2 | Net products:J6412/2*RS232/4*(RS232/485)/Extended 2 CAN or 2 serial port /DC12V input |
| 6033000003 | eBOX-3240-L2 | Net products:J6412/2*RS232/4*(RS232/485)/Extended 2 LAN /DC12V input |

Options

| Accessories | Specifications |
|-------------|-----------------------------|
| DDR4 memory | 4GB,8GB,16GB |
| 2.5 SSD | 128GB,256GB,512GB... .. |
| M.2 SSD | 512GB, 1TB... .. |
| 4G module | mini PCIE: EC20, EG25, EC25 |
| 5Gmodule | m.2: FM150-AE-01-50 |
| Serial card | mini PCIE: SGW-ME352A_V16 |

注意: 如果系统提供了一些可选部件, 在某些地区/国家可能需要额外的系统兼容性认证, 请联系 NODKA 以了解系统兼容性。