



eBOX-3000

V2.0

Fanless Industrial Computer



Intel® Core™ SkyLake i3/i5/i7/Celeron
high performance processor
wall-mounted and fanless mini PC

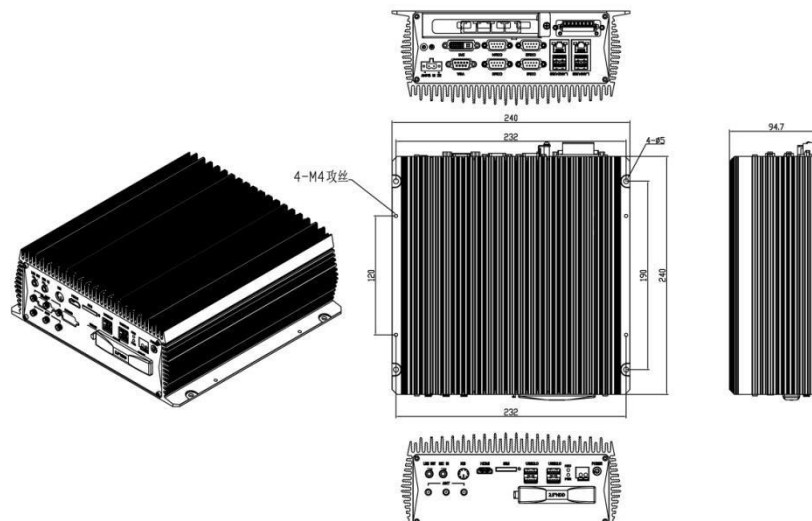


Specifications:

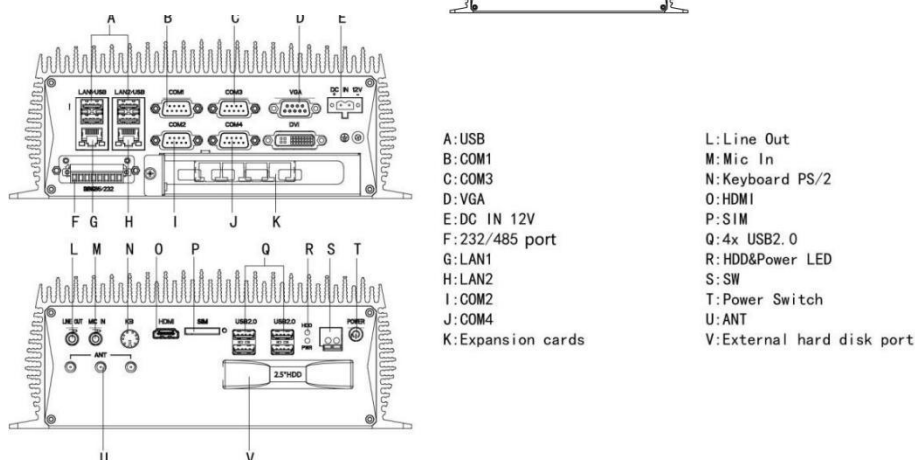


Processor	CPU	支持Intel® Core™ 6/7/8/9th generation i7 / i5 / i3 / Pentium® / Celeron® , LGA1151
	Chipset	Intel H110 Express Chipset
	BIOS	AMI UEFI 64M bit
Memory	Architecture	DDR4-2400MHz
	Capacity	Up to 32GB
	DIMM	2×260-pin SODIMM
Display	VGA	Up to 1920×1200
	DVI	Support 1920×1200
	HDMI	1920×1200
	VGA+DVI+HDMI	Yes, VGA + DVI + HDMI
LAN	LAN1	Intel GbE LAN controller
	LAN2	Intel GbE LAN controller
Audio	Port	Optional
	Amplifier	N/A
I/O	COM	6 x RS-232 (COM5~COM6 Optional RS-485)
	LPT	N/A
	USB	4 x USB3.0/2.0/1.1, 4x USB2.0/1.1
Other	DIO	N/A
	WatchDog	255 seconds programmable
Expansion slot	MiniPCIe	2 * full size PCIe with SIM holder
	PCIe & PCI	1 x PCIe x16 slot or 1 x 32bits PCI
Storage Medium	HDD	1 x 2.5" HDD Bay (Max rate SATA III 6.0 Gb/s)
	SSD	1 * MSATA
OS	Microsoft Windows	Windows 7, Windows 10, Linux
	Type	AT
Power	Input voltage	DC 12~24V ±10%
	Minimum Input	12V/10A, 120W
	Power Adapter	Optional
Power Dissipation	No-load	27Watt
	Full-load	55Watt (According to the CPU set, total power not exceeding 100W)
Mechanism Parameters	Box structure	Aluminum alloy BOX
	Mounting	Support Desktop and Wall-mounted mounting
	Dimensions (L*W*H)	240mm x 240mm x 95mm (9.45" x 9.45" x 3.74")
	NW	4.00kg (8.82lb)
Environmental	Work Temperature	-20 ~ 60°C (-4°F~140°F) (Wide temperature SSD),
		0 ~ 45°C (32°F~113°F) (General temperature HDD/SSD)
	Storage Temperature	-40 ~ 80°C (-40 ~ 176°F)
	Relative humidity	5~95% (Non condensation)
	Shake	SSD applied: 1.5 Grms, IEC 60068-2-64, random, 5 ~ 500 Hz, 1 hr/axis
	Shock	SSD applied: 10 G, IEC 60068-2-64, Half-sine wave, 11ms duration
	EMC	CE/FCC Class A
Safety Certification	CCC	

Dimensions:



I/O:



Ordering Information:

Product Code	Description
eBox-3000-E	No CPU/No memory/No hard disk/6*RS232(2*RS232/485Optional)/ 2 Gigabit Ethernet ports/8*USB2.0 (4 of them support USB3.0) /DVI/VGA//HDMI/PS2/ Audio card /extend PCIe x16 /DC12~24V input / Two-year warranty
eBOX-3000-P	No CPU/No memory/No hard disk/6*RS232(2*RS232/485Optional)/ 2 Gigabit Ethernet ports/8*USB2.0 (4 of them support USB3.0) /DVI/VGA//HDMI/PS2/ Audio card /extend PCI/DC12~24V input/ Two-year warranty

Optional Equipment:

M-10006-0028A	Adapter CAD120121 2 pin Phoenix terminal
M-11015-0010A	Chinese standard Power Line PSB-10+ST3
Memory	Support DDR4 2400, 2 x 260-pin, SO-DIMM Slot, Up to 32 GB Memory Size
Hard disk	Support 2.5 ", MSATA hard disk
CPU	Intel® Core™ 6th / 7th generation i7 / i5 / i3 / Pentium / Celeron, LGA1151 Inter®Celeron™ Series: G3930/G3930 Inter®Pentium™ Series: G440/G4560/G4600 Inter®Core™ Series: I3-6100/7100,I5-6500T/6500/7500/7500T, I7-6700/6700T/7700/7700T