



IDP 58185

v1.0

INDUSTRIAL OPERATION PANEL

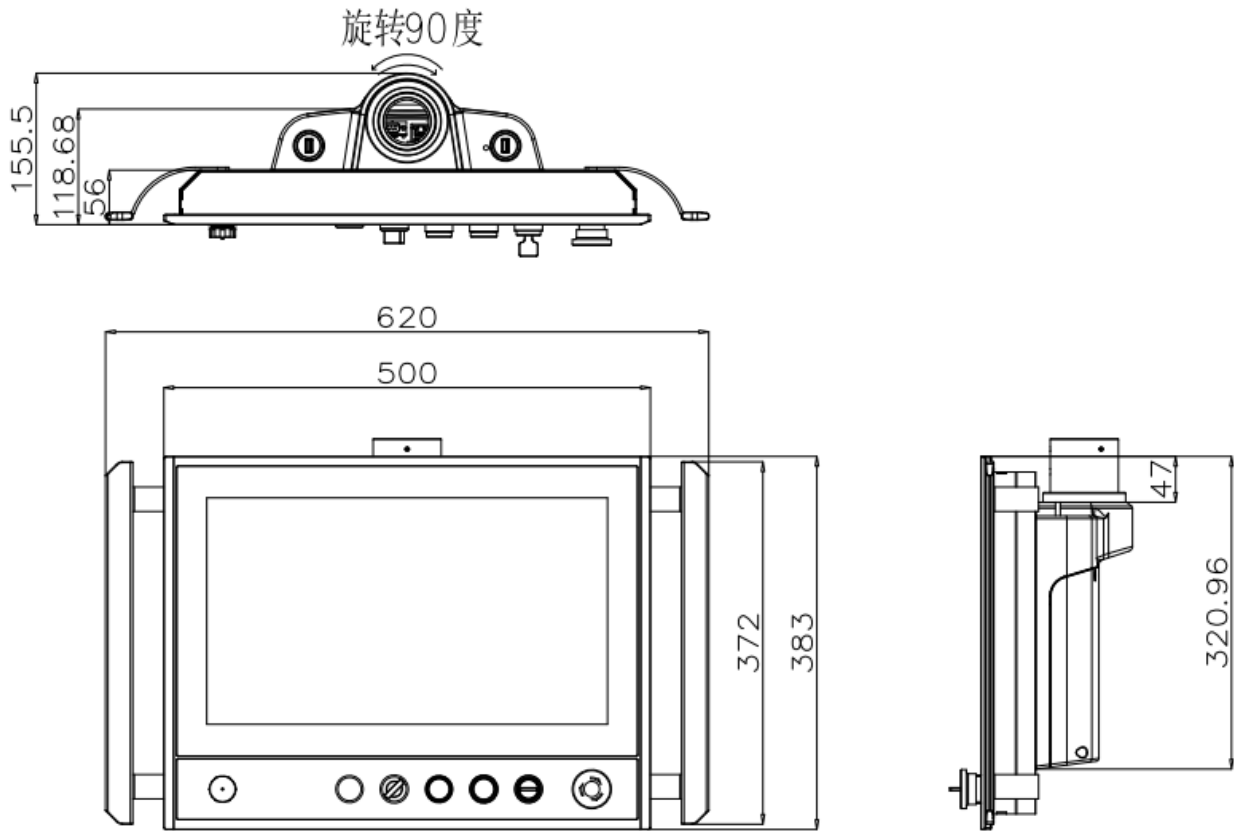
Highly integrated cantilever display panel for industrial systems

Specifications :



| | | IDP58185 |
|------------------------|---------------------------|--|
| Input interface | Signal input | Supports VGA+DVI input |
| | Communication interface | USB2.0 input |
| Physical | Weight | 8.9 KG |
| | Pensile Direction | Optional Up or Down |
| | Fixed Stand of Cantilever | Suitable for full series |
| | Handle of Operation Panel | Standard |
| | Keyboard tray | optional |
| | Operation Button | Optional Item, Nodka Standard: USB、Rotatable switch、Push button (Green , Red), Key switch、Emergency stop switch) |
| | Dimension (W x H x D) | 620mm x 383mm x 155.5mm |
| Power | Input voltage | DC 12-24V support reverse polarity protection, overvoltage protection, overcurrent protection |
| | Maximum Power Dissipation | 12W |
| LCD | LCD Type | 18.5" HD TFT |
| | Resolution | 1366 x 768 |
| | Colors | 16.7MB |
| | Active Area (W x H) | 409.8mm x 230.4mm |
| | Backlight | LED |
| | MTBF (hour) | 30000hrs |
| | Pixel Pitch (H x V) | 0.248 x 0.248 |
| | Luminance | 250cd/m2 |
| | Contrast Ratio | 1000:1 |
| | Viewing Angle | (L) 85 / (R) 85 / (T) 80 / (B) 80 |
| Touchscreen | Touchscreen type | Capacitive Touchscreen |
| | Transmittance | > 81% |
| | Response Time (touch pen) | < 5ms |
| | Surface Hardness | Mohs Hardness 7H |
| | Click Life | 250g / 100,000,000 times |
| | Multi-touch | 10 Points |
| Environmental | Work Temperature | -10 ~ 60°C (14~140°F) |
| | Storage Temperature | -20 ~ 80°C (-4 ~ 176°F) |
| | Relative Humidity | 5~95% (Non-condensation) |
| | Shake | SSD applied: 1.5 Grms, IEC 60068-2-64, random, 5 ~ 500 Hz, 1 hr/axis |
| | Shock | SSD applied: 10 G, IEC 60068-2-64, Half-sine wave, 11ms duration |
| | EMC | CE/FCC Class A |
| | Water-proof | IP65 |

IDP58185 Dimension :



Order Price Table :

| IDP58185 | Specification |
|------------|---|
| IDP58185-C | 18.5"LCD/1366*768/ capacitive touchscreen/DC12V~24V input |