



# PANEL5000-C172-L

v1.1 Touch Screen Monitor

---



17" SXGA Capacitive Touch Screen Monitor



PANEL5000-C172-L

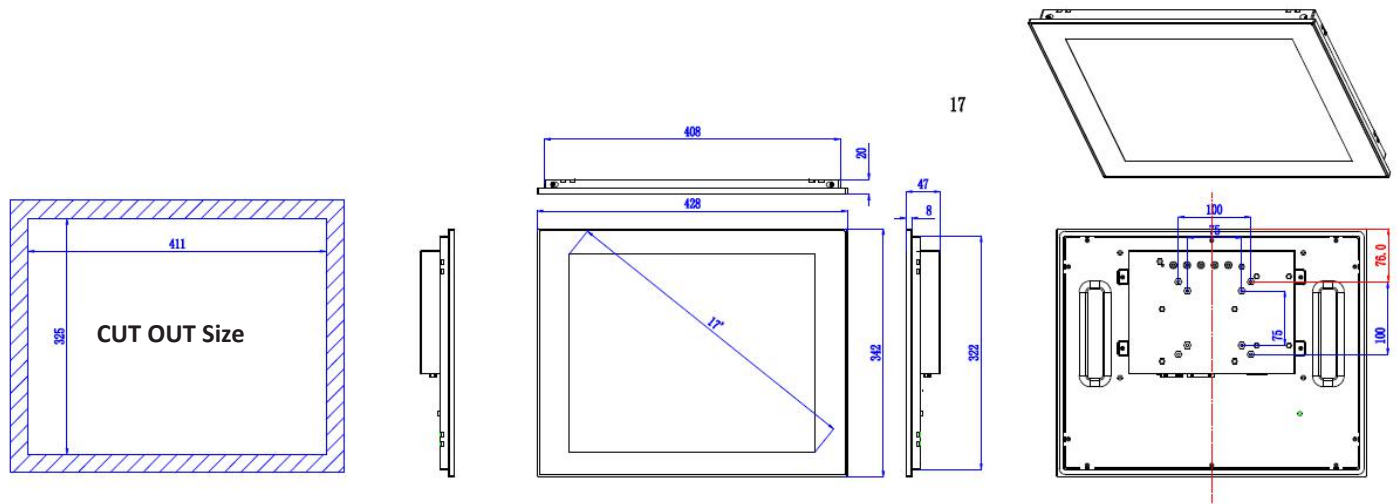


## Specifications



|               |                        |  |
|---------------|------------------------|--|
| General       | Control button         | Set Contrast ratio and Luminance via OSD at the back panel   |
|               | Dimensions (W x H x D) | 428mm x 342mm x 47mm (16.85" x 13.46" x 1.85")   |
|               | Cut out Size (W x H)   | 411mm x 325mm (16.18" x 12.80")  |
|               | Box structure          | Front panel: aluminum-magnesium alloy, anodized coating; Back cover: SGCC, Ground isolation protection |
|               | Mounting               | Support Panel mounted, wall-mounted and Desktop (VESA 75x75 & 100x100)                                 |
|               | Power Supply           | DC 12 - 24V  |
|               | Power Dissipation      | 12W  |
|               | Signal input           | VGA & DVI-D  |
|               | Weight                 | 4.34kg (9.57lb)  |
| LCD           | LCD Size               | 17" SXGA TFT   |
|               | Resolution             | 1280 x 1024  |
|               | Colors                 | 16.7MB   |
|               | Active Area (W x H)    | 338mm x 270mm (13.31"x 10.63")   |
|               | Backlight              | LED  |
|               | MTBF                   | 30000hrs   |
|               | Pixel Pitch (H x V)    | 0.264 x 0.264  |
|               | Luminance              | 250cd/m <sup>2</sup>   |
|               | Contrast Ratio         | 1000 : 1   |
|               | Viewing Angle          | (L) 85 / (R) 85 / (T) 80 / (B) 80  |
| Touchscreen   | Type                   | Multi-point capacitive touch screen  |
|               | Transmittance          | > 87%  |
|               | Controller interface   | USB  |
|               | Driver Support         | Windows XP, Windows 7, Winows8, Windows 10, Linux  |
|               | Multi-touch            | 10 points (windows system)   |
|               | Surface Hardness       | Mohs' Number 7H  |
| Environmental | Operating Temperature  | -20 ~ 60° C (-4~140 °F )   |
|               | Storage Temperature    | -30 ~ 80° C (-22 ~ 176 °F )  |
|               | Relative humidity      | 10~95% RH@40°C,non-condensing  |
|               | Vibration              | Operating Random Vibration Test 5~500Hz, 1.5Grms@with SSD, follow IEC 60068-2-64                       |
|               | Shock                  | Operating 10G peak acceleration (11ms duration), follow IEC 60068-2-27                                 |
|               | EMC                    | CE/FCC Class B   |
|               | Front panel protection | IP65 compliant   |

## Dimensions:



|       |         |         |       |
|-------|---------|---------|-------|
| A:USB | B:DC IN | C:DVI-D | D:VGA |
|-------|---------|---------|-------|

## Ordering

| Product Code     | Description  |
|------------------|--|
| PANEL5000-C172-L | 17" TFT LCD/Capacitive Touch Screen/DC12-24V input/1280*1024 |

## Packing List:

|                 |                             |
|-----------------|-----------------------------|
| Mounting screws | 4*pcs (Thickness=1mm~1.2mm) |
| Terminal        | 2pin Phoenix terminal       |
| VGA Cable       | 1.8M                        |
| USB Cable       | 1.8M                        |
|                 |                             |

## Optional Items:

|            |                                     |
|------------|-------------------------------------|
| Adapter    | 12V/3.33A,40W 2pin Phoenix terminal |
| Power Cord | 1.8M/3M/5M                          |
| VGA Cable  | 3M/5M                               |
| USB Cable  | 3M/5M                               |
| DVI Cable  | 1.8M/3M/5M                          |