



PANEL5000-C1853W-L

v1.1 Touch Screen Monitor



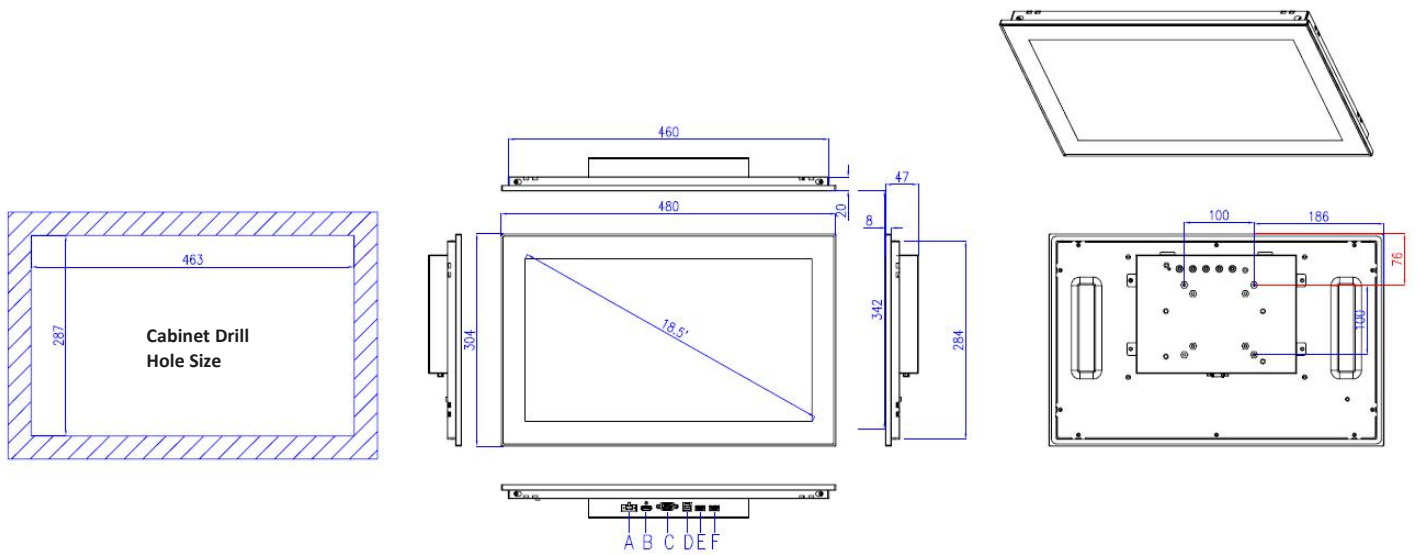
18.5" HD Capacitive Touch Screen
Industrial Monitor



Specifications

General	Control button	Set Contrast ratio and Luminance via OSD at the back panel
	Dimensions (W x H x D)	480mm x 304mm x 47mm (18.90" x 11.97" x 1.85")
	Drill Hole Size (W x H)	463mm x 287mm (18.23" x 11.30")
	Box structure	Front panel: aluminum-magnesium alloy, anodized coating ;Back cover: SGCC, Ground isolation protection
	Mounting	Support Embedded, wall-mounted, Desktop and VESA mounting
	Power Supply	DC 12 - 24V
	Power Dissipation	10W
	Signal input	VGA & HDMI
	NW	4.6kg(10.14lb)
LCD	LCD Size	18.5" HD TFT
	Resolution	1366 x 768
	Colors	16.7MB
	Active Area (W x H)	409.8mm x 230.4mm (16.13"x 9.07")
	Backlight	LED
	MTBF	50000hrs
	Pixel Pitch(H x V)	0.100 x 0.3
	Luminance	500cd/m ²
	Contrast Ratio	1000 : 1
	Viewing Angle	(L) 85 / (R) 85 / (T) 80 / (B) 80
Touchscreen	Type	Multi-point capacitive touch screen
	Transmittance	> 87%
	Controller interface	USB 2.0 Type B
	Driver Support	Windows XP, Windows 7, Winows8, Windows 10, Linux
	Multi-touch	10 points (windows system)
	Surface Hardness	Mohs' Number 7H
Environmental	Work Temperature	0 ~ 50° C (32~122 °F)
	Storage Temperature	-20 ~ 60° C (-4 ~ 140 °F)
	Relative humidity	10~95% RH@40°C, non-condensing
	Shake	SSD applied: 1.5 Grms, IEC 60068-2-64, random, 5 ~ 500 Hz, 1 hr/axis
	Shock	SSD applied: 10 G, IEC 60068-2-27, Half-sine wave, 11ms duration
	EMC	CE/FCC Class B
	Water-proof	Front panel IP65

Dimensions:



A: DC IN	B:HDMI	C:VGA	D:USBT TOUCH	E:USB	F:USB
----------	--------	-------	--------------	-------	-------

Ordering

Product Code	Description
PANEL5000-C1853W-L	18.5" TFT LCD / 1366*768 / 1xVGA / 1xHDMI / 2xUSB / Capacitive Touch Screen/DC12-24V input

Packing List:

Hook	8*Hooks apply to Thickness=1mm~1.2mm
Terminal	2pin Phoenix terminal
VGA Cable	1.8M
USB Cable	1.8M

Optional

Adapter	12V/3.33A,40W 2pin Phoenix terminal
Chinese Standard Power Line	1.8M/3M/5M
VGA Cable	3M/5M
USB Cable	3M/5M
HDMI Cable	1.8M/3M/5M