

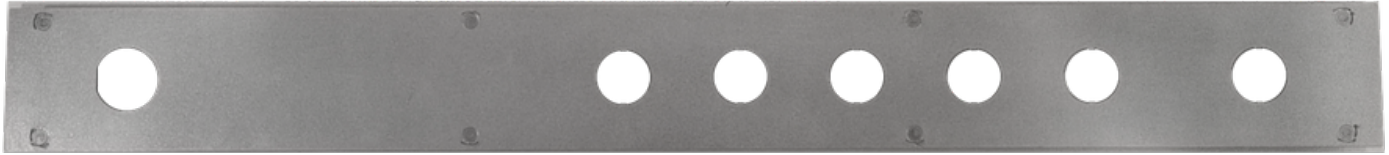
**Nodka Standard Panel Buttons for GEN-II / 诺达佳 GEN-II 悬臂标准按钮:**

Button panel for user definition: There are total 7 holes on the standard panel

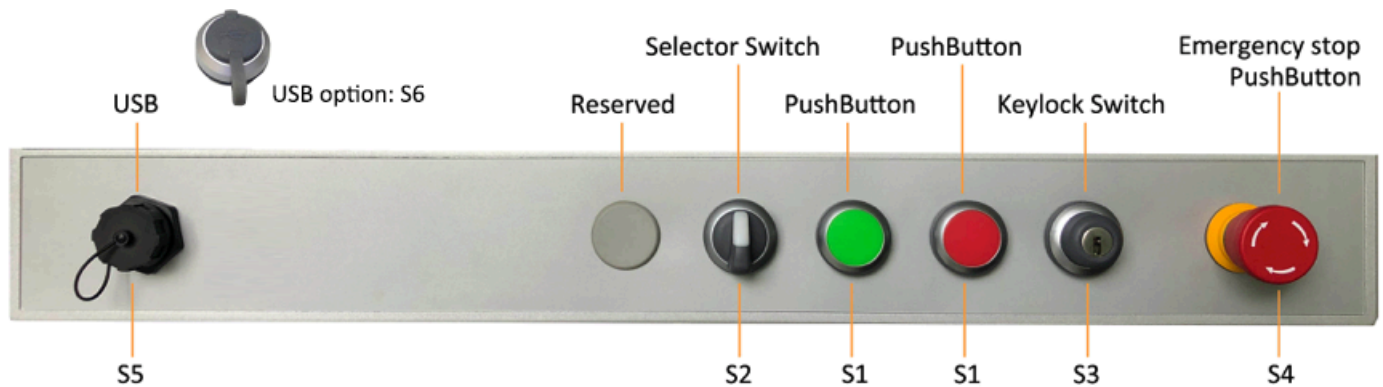
Acceptable Customization: (MOQ=10)

(1) buttons quantity (according to the LCD size, 15" max to 8, 21.5" max to 10)

(2) Logo print

**NODKA standard buttons:**

1x USB (S5), 1x Selector switch(S2), 1x Push button green(S1), 1x Push button red(S1), 1x Keylock switch(S3), 1x Emergency stop (S4)



NO.	Order NO. / 料号	Name/品名	Contact Block / 触点
S1	5070200001	PushButton-Green / 按钮开关-绿	1NO+1NC
	5070200002	PushButton-Red / 按钮开关-红	1NO+1NC
	5070200003	PushButton-White / 按钮开关-白	1NO+1NC
	5070200004	PushButton-Blue / 按钮开关-蓝	1NO+1NC
	5070200005	PushButton-Yellow / 按钮开关-黄	1NO+1NC
S2	5070500001	Selector Switch, Rotating angle:90℃ 选择开关, 可旋转 90 度	1NO+1NC
S3	5070400002	Keylock Switch, Rotating angle:90℃ 钥匙开关, 可旋转 90 度	1NO+1NC
S4	5070300001	Emergency stop PushButton 急停按钮	2NC
S5	5070100002	USB	/
S6	5080000003	USB	/
Reserved	2090500005	Water-proof plug / 防水塞 (预留)	/

## RAFI Button Contact block (standard)

### 1- Contact block for Selector switch, pushbutton, keylock switch: 1.20.126.003/9000 标准选择开关 / 按钮开关 / 钥匙开关触点: 1.20.126.003/9000



## RAFIX FS Contact block PCB gold, Universal, with light conductor

Technical data see page 2 - 241



→ Contact arrangement	Lamp optional	Operating life at 10 mA / 24 V DC	B10	Color of plunger	Order no.
1 NO	SMT LED	1,000,000	1,300,000	green	1.20.126.002/9000
1 NC	SMT LED	1,000,000	1,300,000	red	1.20.126.001/9000
2 NO	SMT LED	1,000,000	1,300,000	green	1.20.126.005/9000
2 NC	SMT LED	1,000,000	1,300,000	red	1.20.126.004/9000
1 NC + 1 NO	SMT LED	1,000,000	1,300,000	red and green	1.20.126.003/9000

Caution: can not be used with emergency stop and mushroom headed pushbuttons.

### 2- Contact block for Emergency stop pushbutton: 1.20.126.404/9000 (急停触点)

## RAFIX FS Contact block PCB gold, E-Stop, with light conductor

Technical data see page 2 - 241



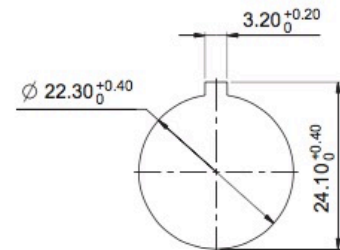
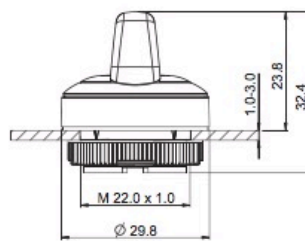
→ Contact arrangement	Lamp optional	Operating life at 10 mA / 24 V DC	B10	Color of plunger	Order no.
1 NO	SMT LED	1,000,000	1,300,000	green	1.20.126.402/9000
1 NC	SMT LED	1,000,000	1,300,000	red	1.20.126.401/9000
2 NO	SMT LED	1,000,000	1,300,000	green	1.20.126.405/9000
2 NC	SMT LED	1,000,000	1,300,000	red	1.20.126.404/9000
1 NC + 1 NO	SMT LED	1,000,000	1,300,000	yellow	1.20.126.403/9000

Standard Buttons / 标准品按钮:



## RAFIX 22 FS<sup>+</sup> Selector switch, round collar

Technical data see page 2 - 173



Panel cut-out to IEC 60947-5-1

→ Illuminability	Contact function	Rotating angle		Order no.	
				Plastic front ring	Metallized front ring
yes	momentary	1 x 40°		1.30.272.001/22xx	1.30.272.002/2200
yes	momentary	2 x 40°		1.30.272.026/22xx	1.30.272.027/2200
yes	latching	1 x 90°, form L		1.30.272.101/22xx	<b>1.30.272.102/2200</b>
yes	latching	1 x 90°, form V		1.30.272.201/22xx	1.30.272.202/2200
yes	latching	2 x 60°		1.30.272.301/22xx	1.30.272.302/2200
yes	latching 1 x 90° and momentary 1 x 40°	1 x 90° and 1 x 40°		1.30.272.426/22xx	1.30.272.427/2200

xx = Front ring color: black = 01, red = 03, yellow = 04, green = 05, blue = 06, slate grey = 07, silver grey = 08

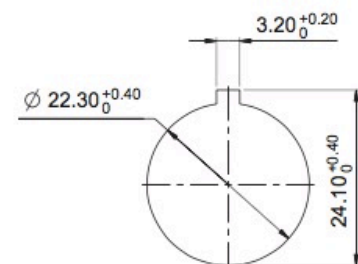
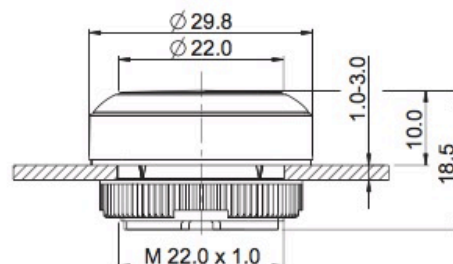
Other contact functions and handle marking colors available on request.

For colored illumination of the handle marking please use colored LED.



## RAFIX 22 FS<sup>+</sup> Pushbutton, flush lens, round collar

Technical data see page 2 - 159



Panel cut-out to IEC 60947-5-1

→ Illuminability	Color of lens	Order no. momentary		Order no. latching	
		Plastic front ring	Metallized front ring	Plastic front ring	Metallized front ring
yes	translucent red	1.30.270.001/23xx	1.30.270.021/2300	1.30.270.011/23xx	1.30.270.031/2300
yes	translucent yellow	1.30.270.001/24xx	1.30.270.021/2400	1.30.270.011/24xx	1.30.270.031/2400
yes	translucent green	1.30.270.001/25xx	1.30.270.021/2500	1.30.270.011/25xx	1.30.270.031/2500
yes	translucent blue	1.30.270.001/26xx	1.30.270.021/2600	1.30.270.011/26xx	1.30.270.031/2600
yes	translucent white	1.30.270.001/22xx	1.30.270.021/2200	1.30.270.011/22xx	1.30.270.031/2200
no	opaque slate-grey	1.30.270.001/07xx	1.30.270.021/0700	1.30.270.011/07xx	1.30.270.031/0700
no	opaque black	1.30.270.001/01xx	1.30.270.021/0100	1.30.270.011/01xx	1.30.270.031/0100

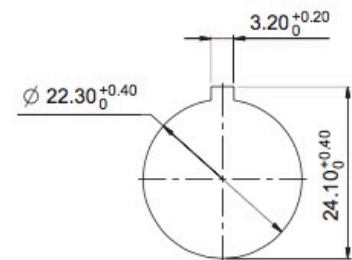
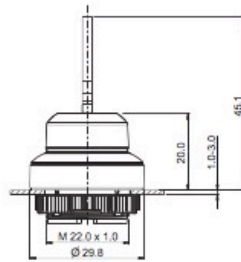
xx = Front ring color: black = 01, red = 03, yellow = 04, green = 05, blue = 06, slate grey = 07, silver grey = 08

Legending on request.



## RAFIX 22 FS<sup>+</sup> Keylock switch compact, round collar

Technical data see page 2 - 179



Panel cut-out to IEC 60947-5-1

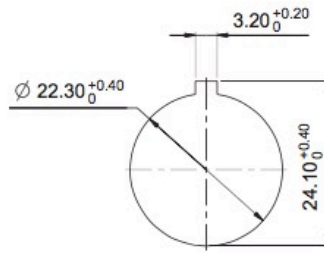
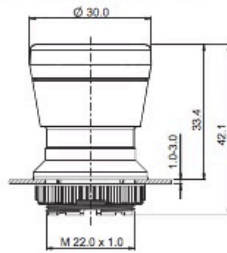
→ Contact function	Rotating angle	Key removal position	Order no.		
			Plastic front ring	Metallized front ring	
momentary	1 x 40°		0	1.30.275.001/xxxx	1.30.275.002/0000
momentary	2 x 40°		0	1.30.275.101/xxxx	1.30.275.102/0000
latching	1 x 90°, L shape		0+1	1.30.275.221/xxxx	1.30.275.222/0000
latching	1 x 90°, V shape		0+1	1.30.275.321/xxxx	1.30.275.322/0000
latching 1 x 90° and momentary 1 x 40°	1 x 90° and 1 x 40°		0	1.30.275.501/xxxx	1.30.275.502/0000

xxxx = Front ring color: black = 0100, slate grey = 0700, silver grey = 0800

# RAFIX 22 FS<sup>+</sup>

## Emergency stop pushbutton, reset by rotation

Technical data see page 2 - 184



Panel cut-out to IEC 60947-5-1

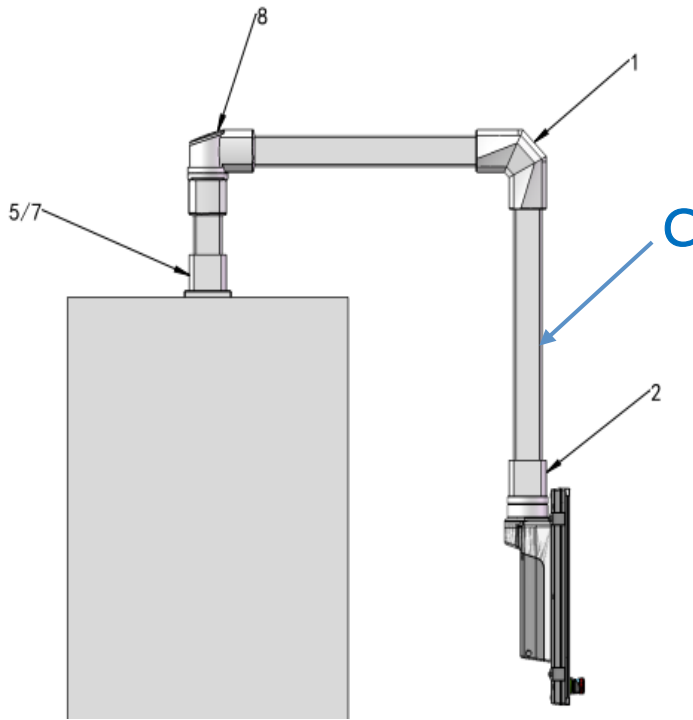


→ Reset	Illuminability	Degree of protection from front side	Order no.
by clockwise rotation	yes, lens translucent	IP65 (DIN EN 60529)	1.30.273.001/2200
by clockwise rotation	yes, lens translucent red	IP65 (DIN EN 60529)	1.30.273.001/2300
by clockwise rotation	no	IP65 (DIN EN 60529)	<b>1.30.273.501/0300</b>

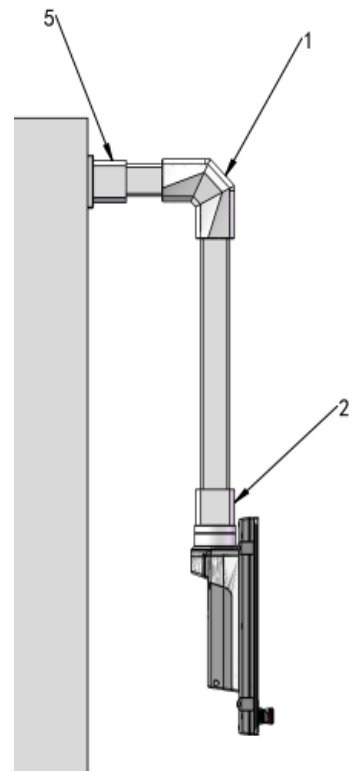
Only use with E-stop contact blocks

Installation Guide/安装指南:

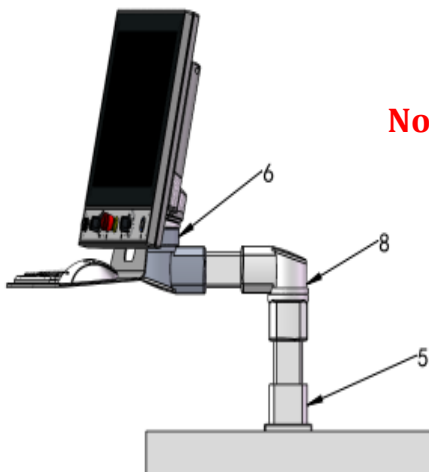
No.1



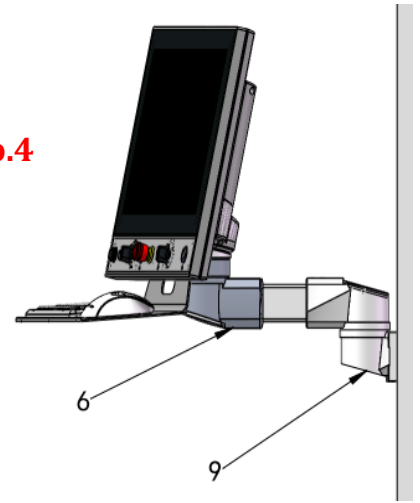
No.2



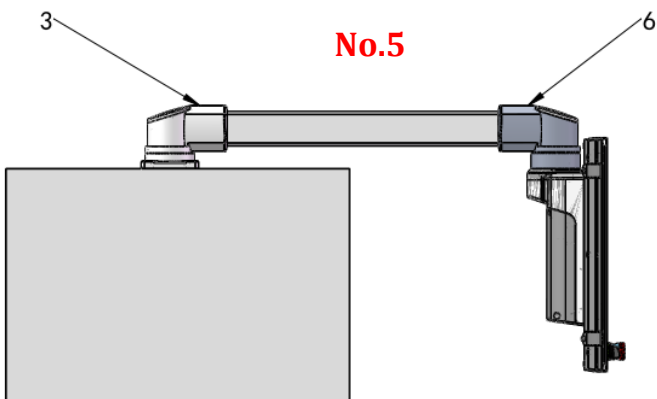
No.3



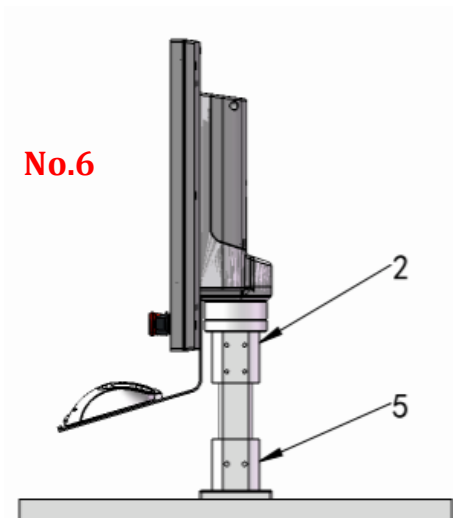
No.4

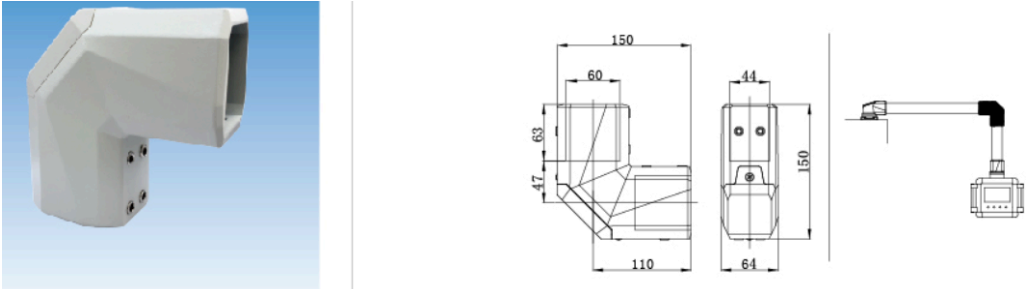
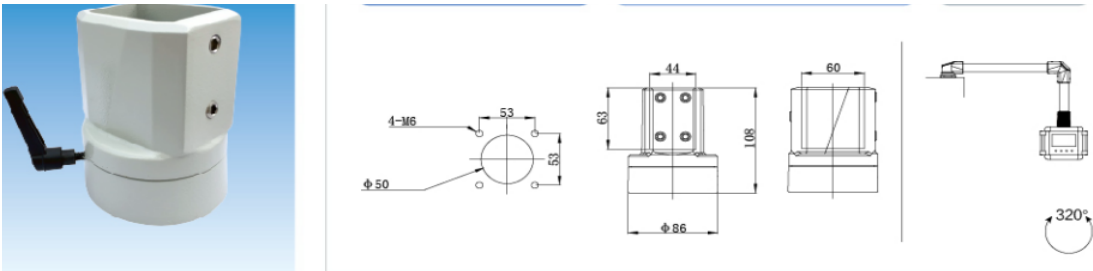
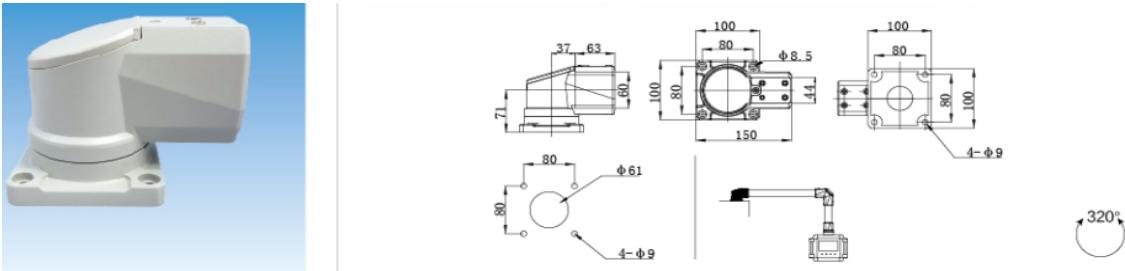
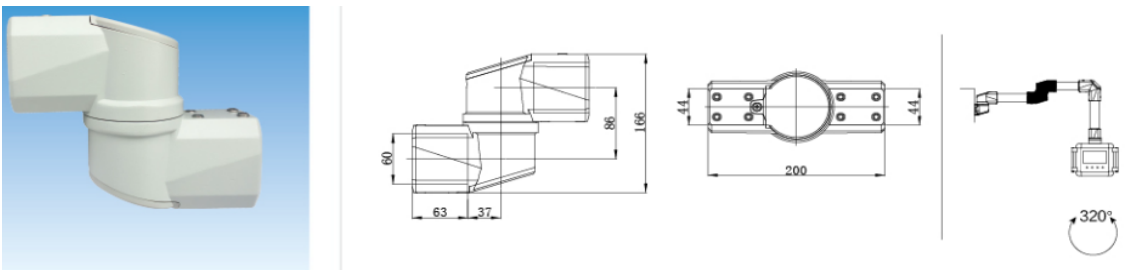
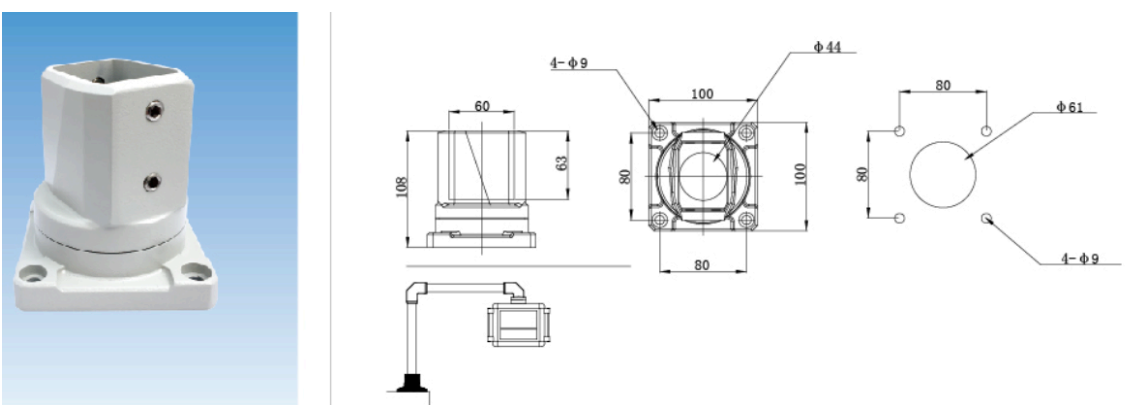



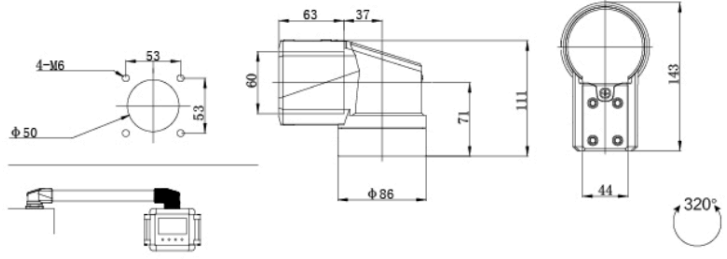

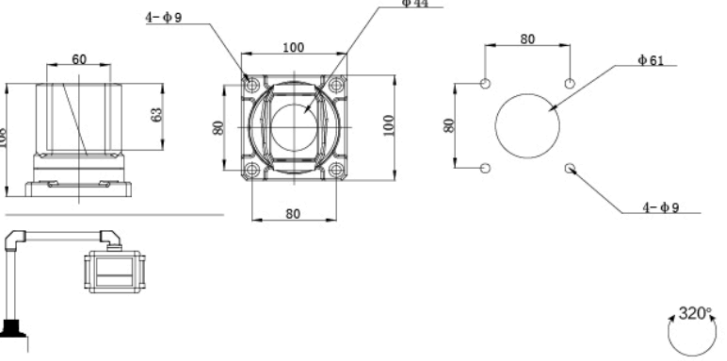

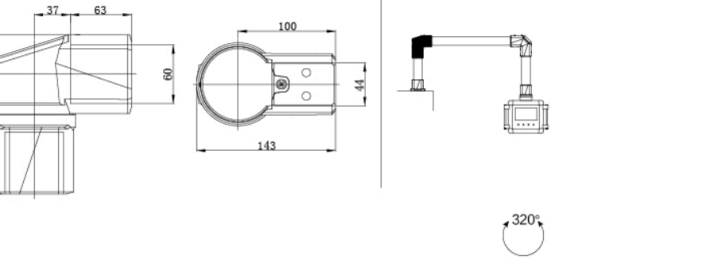

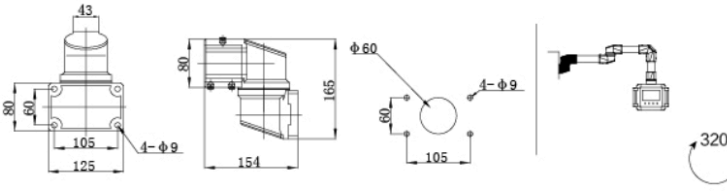

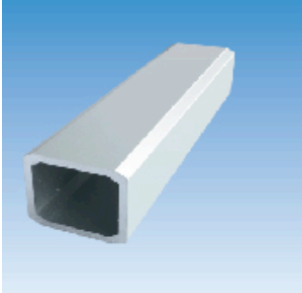
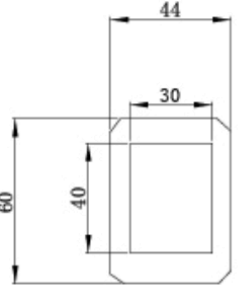
No.5



No.6



NO.	Order NO. 料号	Material Name and Drawing 材料名称及图纸
1	2081400038	<p>90°C Corner/90 度转角:</p> 
2	2081400041	<p>Box Connector / 箱座:</p> 
3	2081400032	<p>90° Base / 顶座:</p> 
4	2081400034	<p>Tube Connector / 中间连接件: (Rotating Angle: 0~320° )</p> 
5	2081400039	<p>Base(Non-rotatable) / 底座(不可旋转):</p> 

6	2081400031	<p>90° Box Connector / 90 度箱体连接器:</p> 	
7	2081400040	<p>Rotating Base / 可旋转底座:</p> 	
8	2081400036	<p>90° Corner / 可旋转 90 度转角: Rotating Angle: 90°</p> 	
9	2081400033	<p>Horizontal base / 水平底座: Horizontal Rotation Angle: 90°</p> 	
10	5090000111	<p>Keyboard holder</p>	
C	2081400019	<p>Length: 25cm</p>	 
	2081400018	<p>Length: 50cm</p>	
	2081400026	<p>Length: 100cm</p>	
	2081400030	<p>Length: 150cm</p>	